

GREENHOUSE 120 – 6'x8'

ASSEMBLY INSTRUCTIONS



For expert advice phone Summer Garden Buildings - 0800 9777 828. Phone free 7 days a week or visit www.summergardenbuildings.co.uk

IMPORTANT

Please read these instructions carefully before you start to assemble this greenhouse. Keep these instructions in a safe place for future reference.



For expert advice phone Summer Garden Buildings on 0800 9777 828
Phone free 7 days a week or visit www.summergardenbuildings.co.uk

⇒ **Safety Advice**

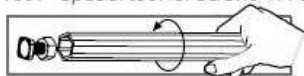
- It is of utmost importance to assemble all of the parts according to the directions. Do not skip any step.
- We strongly recommend using work gloves during assembly.
- Always wear shoes and safety goggles when working with extruded aluminium.
- If using a step ladder or power tools ensure that you follow the manufacturer's safety advice.
- Do not touch overhead power cables with the aluminium profiles.
- Do not attempt to assemble the greenhouse in windy or wet conditions.
- Dispose of all plastic bags safely keep them out of reach of small children.
- Keep children away from the assembly area.
- Do not lean against or push the greenhouse during construction.
- Do not position your greenhouse in an area exposed to excessive wind.
- Do not attempt to assemble this greenhouse if you are tired, have taken drugs or alcohol or if you are prone to dizzy spell.
- Hot items such as recently used grills, blowtorches etc. must not be stored in the greenhouse. Ensure there are no hidden pipes or cables in the ground before inserting the pegs.
- This product is designed to use as greenhouse only.

⇒ **Care & Maintenance**

When your greenhouse needs to be cleaned, use a mild detergent solution and rinse with cold clean water. DO NOT use acetone, abrasive cleaners or other special detergents to clean the clear panels. It is recommended to check periodically that roof panels' caps (plastic part 329 & profile 981) are set in place.

⇒ **Tools & Equipment**

- Tape measure
- Work gloves
- Lubricant
- Phillips head screwdriver
- Step ladder
- Drill bit
- Large hammer
- Spanner
- T001 - Special tool for Screws 411 and nuts 412

⇒ **Before Assembly**

This is a multi-part assembly best achieved by two people. Allow at least half a day for assembly process.

Selecting a site - the greenhouse must be assembled, positioned and fixed on a flat level surface.

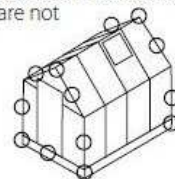
Choose a sunny position away from overhanging trees.

We are strongly recommend to fix your greenhouse directly to a solid concrete foundation. When doing that use the pre drilled holes in the metal base supplied.

Take out all components parts of the packages. Sort the parts and check against the contents parts list.

During assembly parts should be laid out close at hand. Keep all small parts (screws etc.) in a bowl so they do not get lost.

In purpose to facilitate parts' identification and assembly process, all-positioned profiles are used in this greenhouse. As a result some apertures in the profiles are not used during assembly.

⇒ **During Assembly**

Carry out the assembly steps in the order set out in the instructions.

Step 1: Make sure the base is square by measuring the diagonals and level by using a spirit level.

Step 4: Part A994, A995 are in the back of the greenhouse. Fixing them determines the front side of the greenhouse.

Steps 7, 10, 13: The oval hole in the crossbars A256 should always be assembled to the base of the greenhouse.

Door assembly (Steps 8, 44-49)

Door can be installed as a left hand door or right hand door to your decision. These instructions show a right hand door assembly.

Step 8: determines door direction **door post 987** is where door hinges will be located.

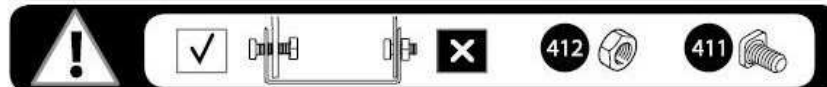
Steps 44-49: Door assembly should be done according to this decision.

Steps 31-32: Decide on the window's location before assembly. Window can be installed in one of the indicated options.

Step 51: Firmly connect the greenhouse to a level final position immediately after completion of the assembly.

Screws 411 and nuts 412 are used throughout the assembly process.

- Screws 411 are to be assembled from the outside and nuts 412 from the inside of the greenhouse.
- Do not fasten screws and nuts (411 & 412) more than 2-3 turns only. Do not tighten them until completion of the panels' assembly, if not specified otherwise.
- However, in some steps, temporary tightening of a few screws may be needed to prevent a profile from falling till it will be fully connected in the next steps.

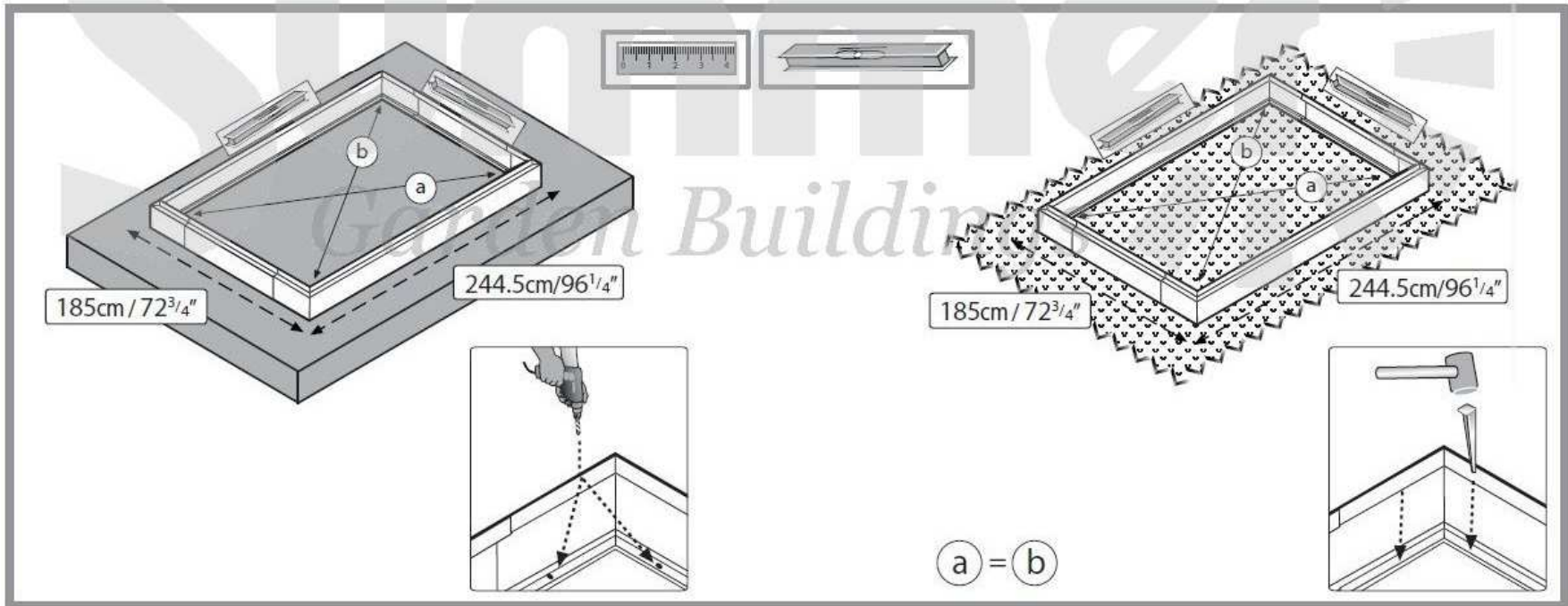
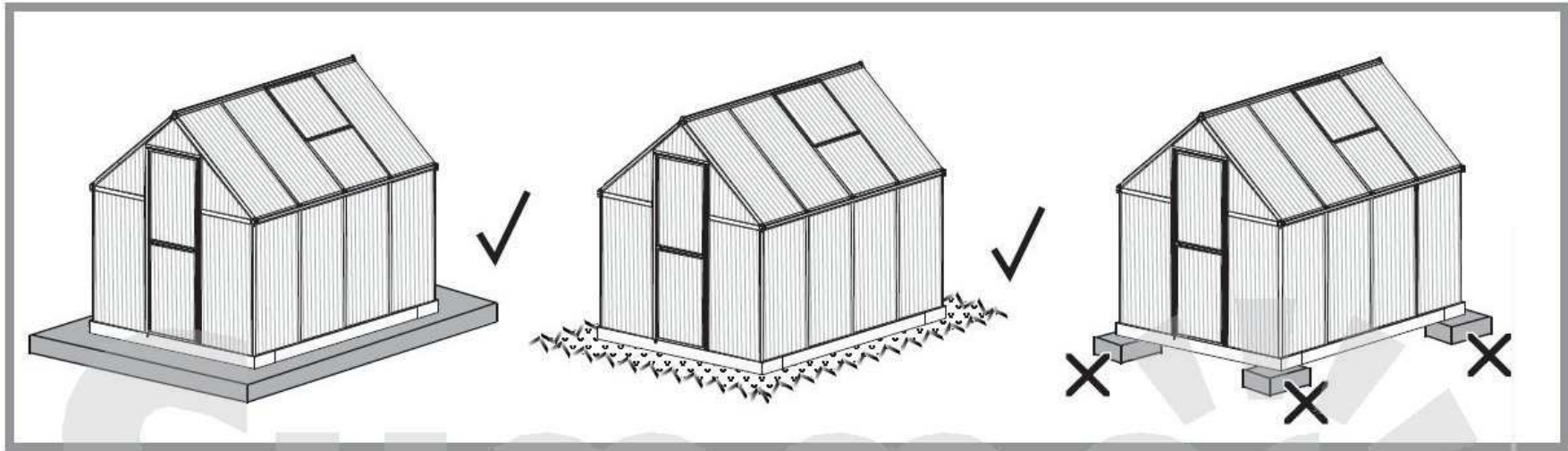


Contents

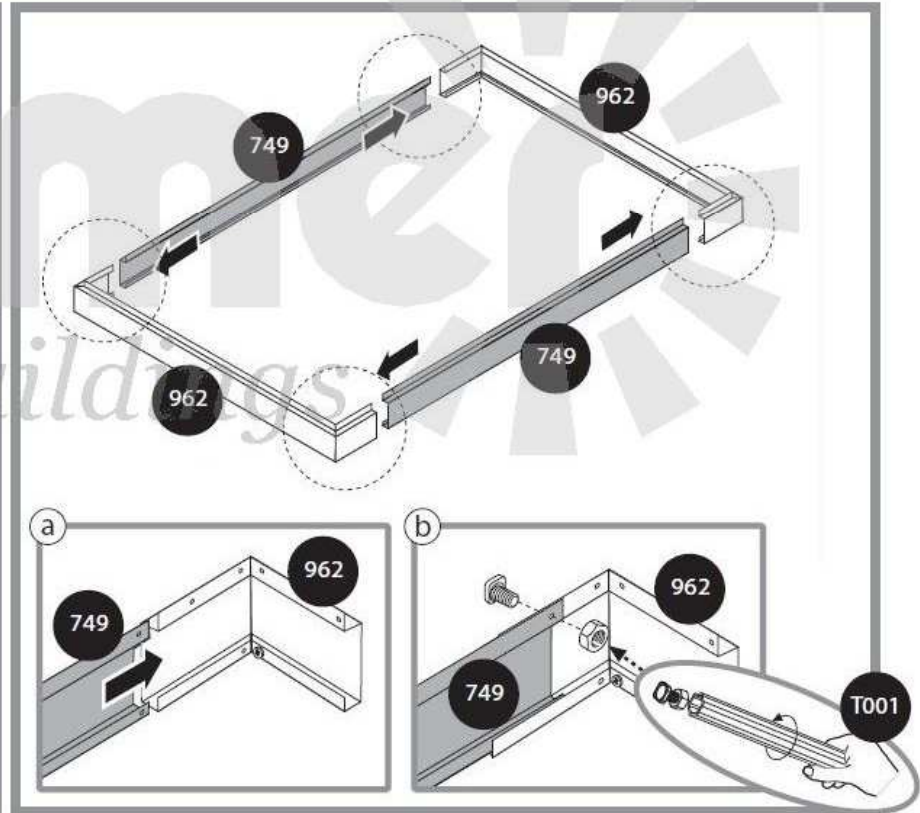
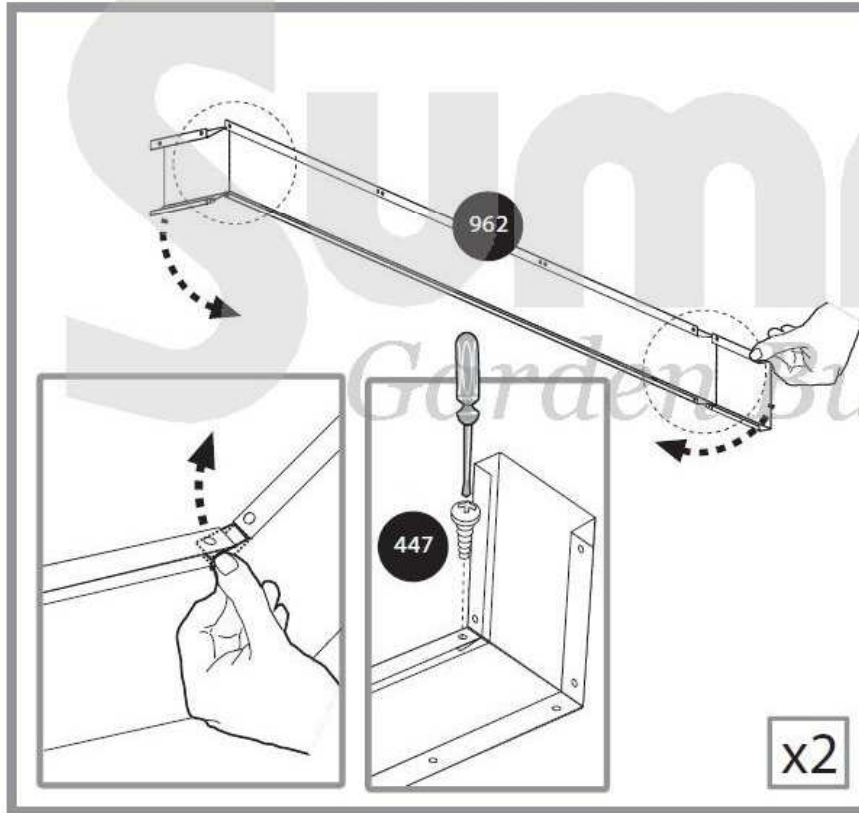
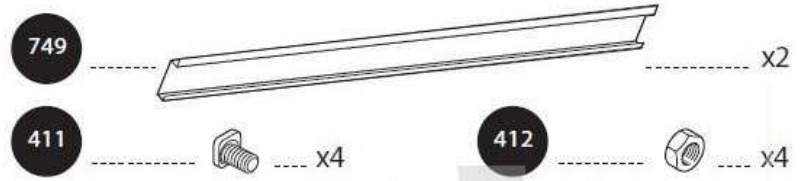
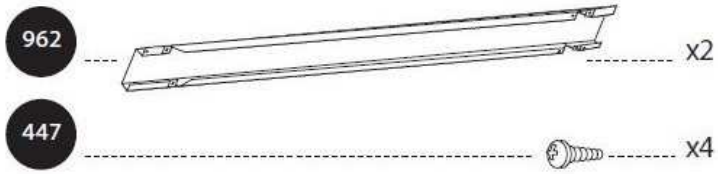
Item	Inc./cm	Qty.	Item	Inc./cm	Qty.
962	86 ¹ / ₄ / 219	2	994	67 / 170	1
749	90 ¹ / ₂ / 230	2	995	67 / 170	1
997	94 / 239	2	987	65 / 165	1
998	94 / 239	1	988	65 / 165	1
287	70 / 178	1	985	64 / 163	2

Contents

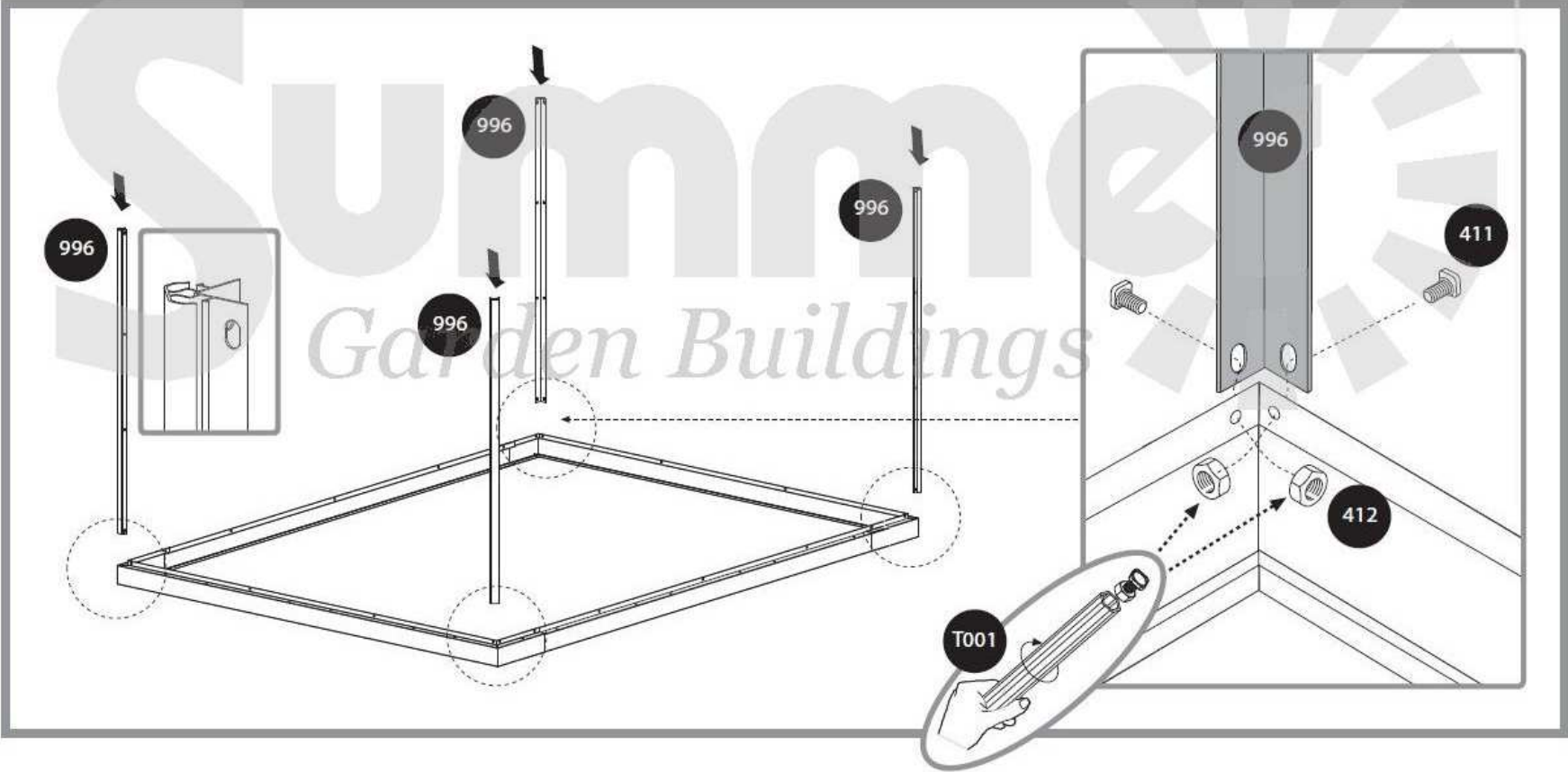
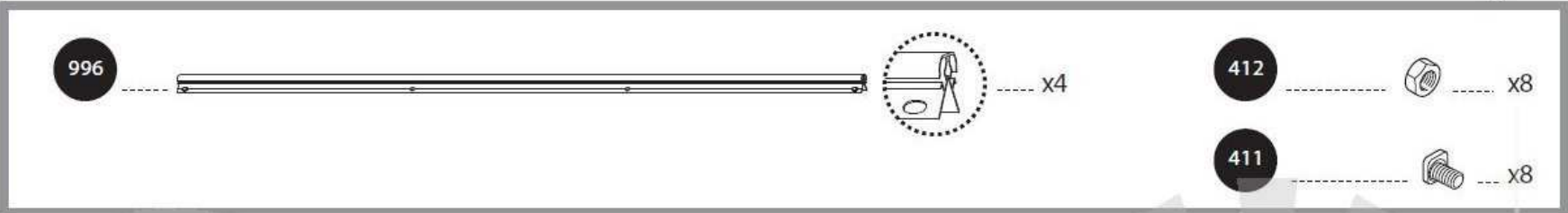
Item	Inc./cm	Qty.	Item	Qty.	Item	Inc./cm	Qty.	Item	Inc./cm	Qty.
256	50 ³ / ₄ / 129	8	585	1	989	24 ¹ / ₄ / 61.5	1	286	24 / 61	2
993	46 / 117	12	586	2	991	24 ¹ / ₄ / 61.5	1	999	22 / 56	5
996	46 / 117	8	584	2	992	22 ³ / ₄ / 58	2	986	24 ³ / ₄ / 63	1
			583	2	984	21 ¹ / ₂ / 55	2	983	18 ¹ / ₂ / 47	1
			581	20	990	22 / 56	1	981	22 / 56	8
3017	22 ³ / ₄ / 53	2	588	1						
3016	64 / 163	1	582	2						



1

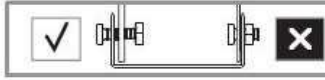


2



For expert advice phone Summer Garden Buildings - 0800 9777 828. Phone free 7 days a week or visit www.summergardenbuildings.co.uk

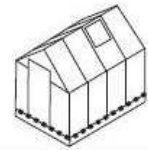
3



412



411



412

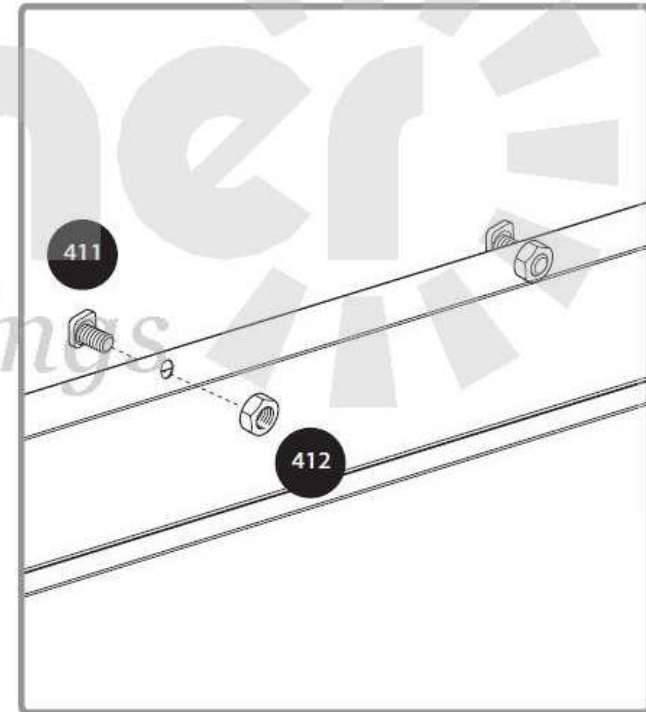
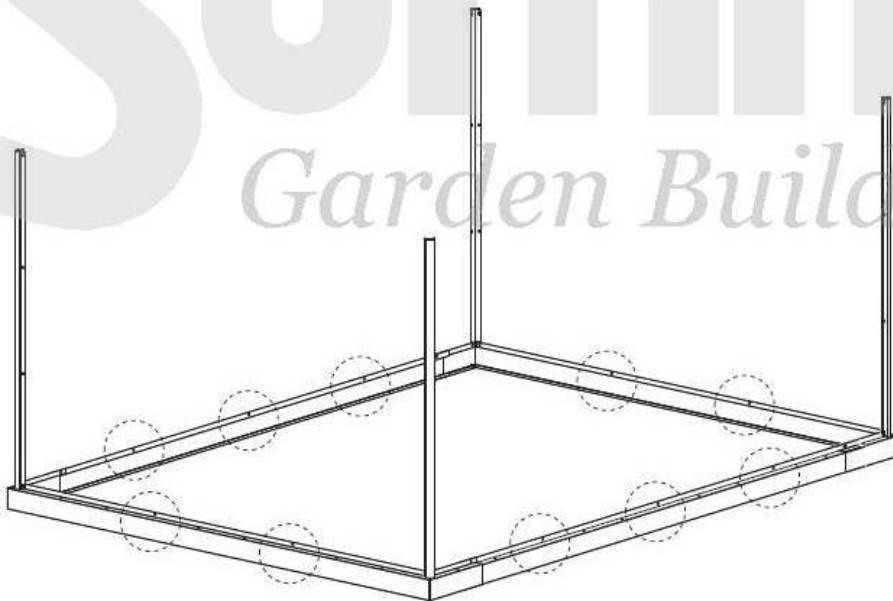


x10

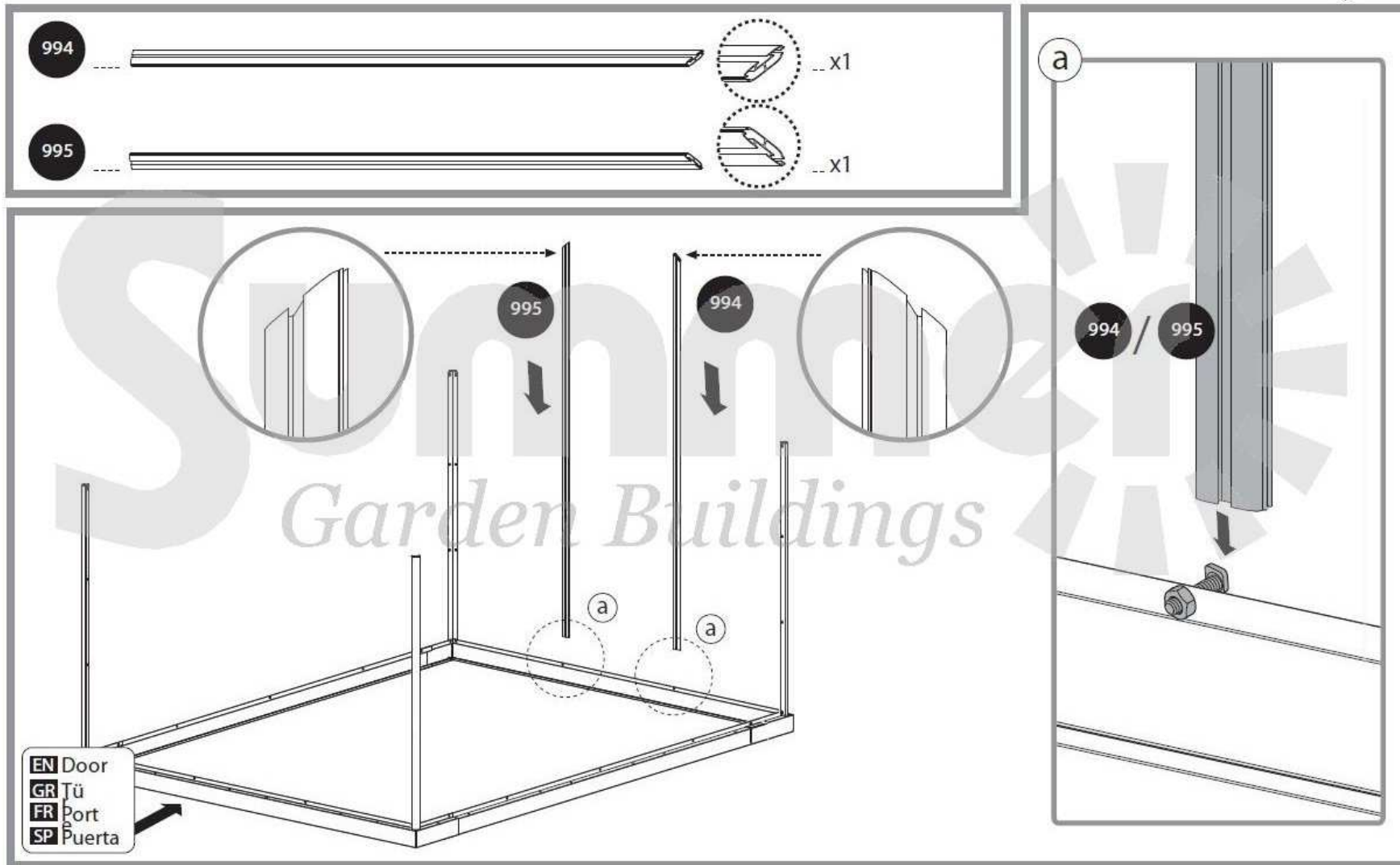
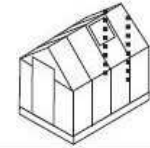
411





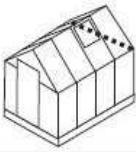
x10

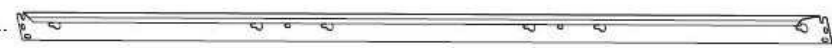



4




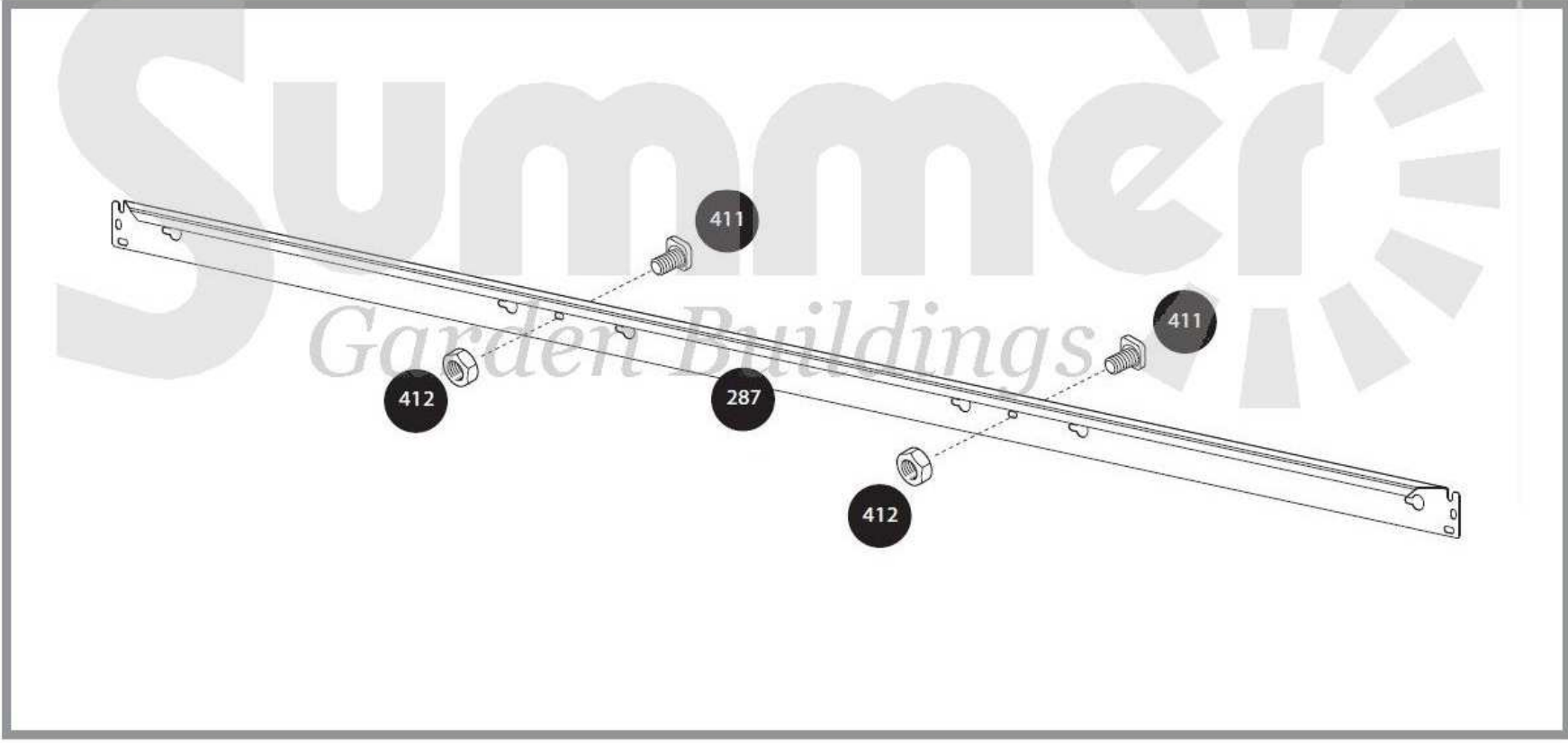
5     



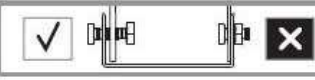
287  x1

412  x2

411  x2



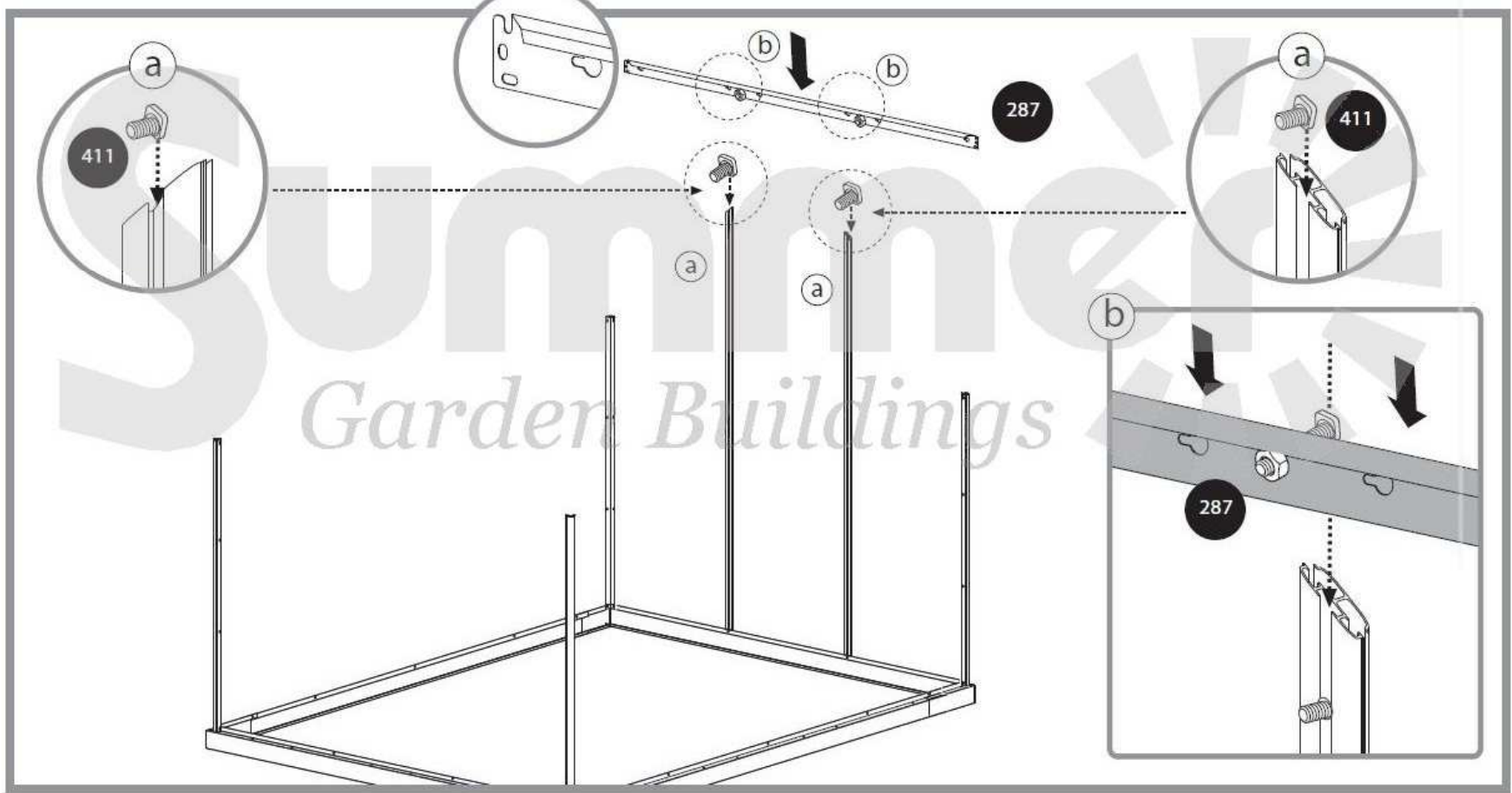
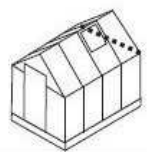
6





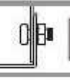


412

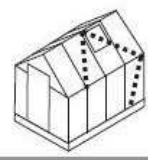



411





For expert advice phone Summer Garden Buildings - 0800 9777 828. Phone free 7 days a week or visit www.summergardenbuildings.co.uk

7     



256  x2

412  x4

411  x2

a

b

256

256

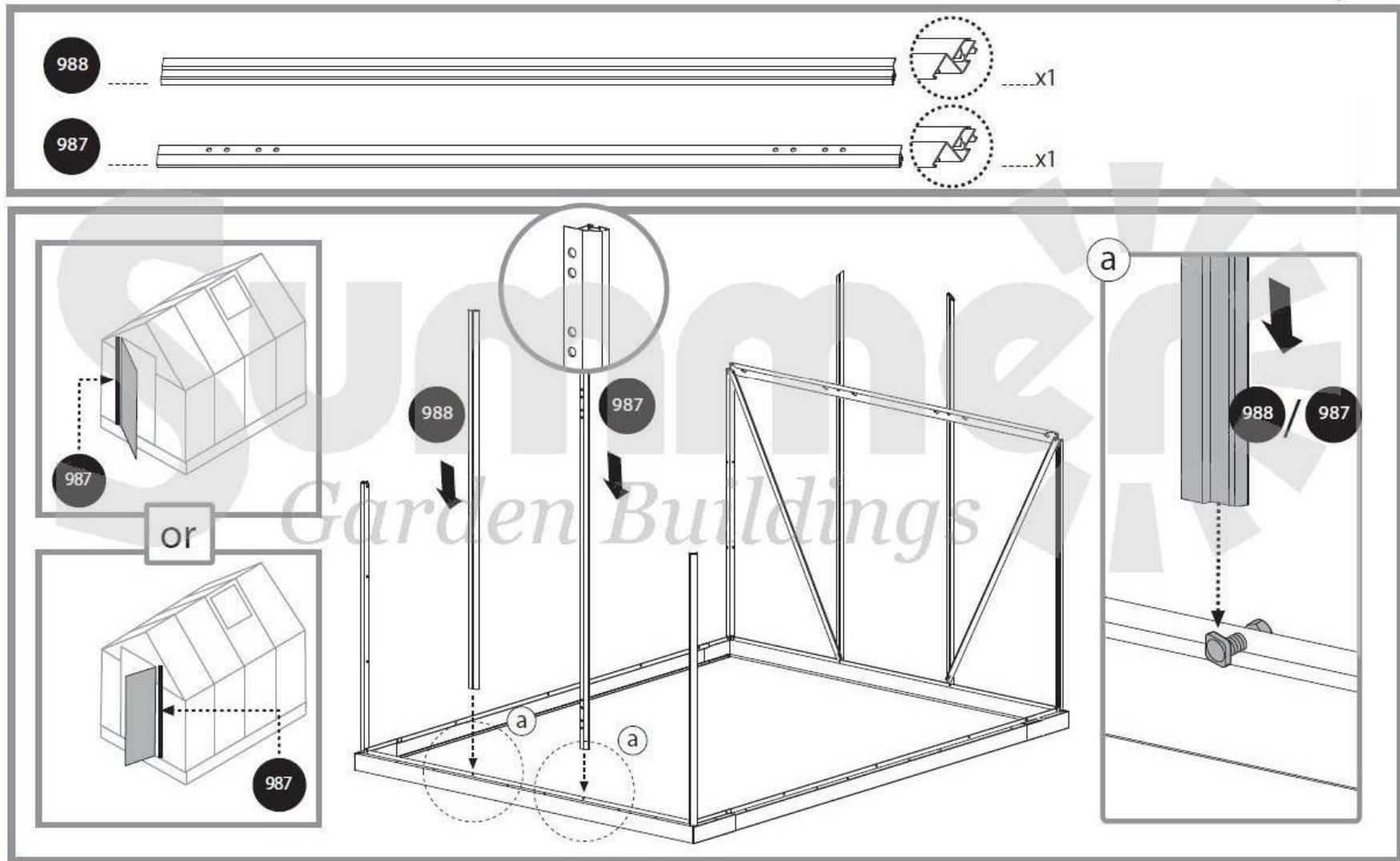
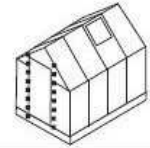
a

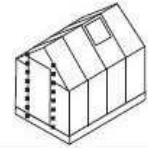
b

256

256



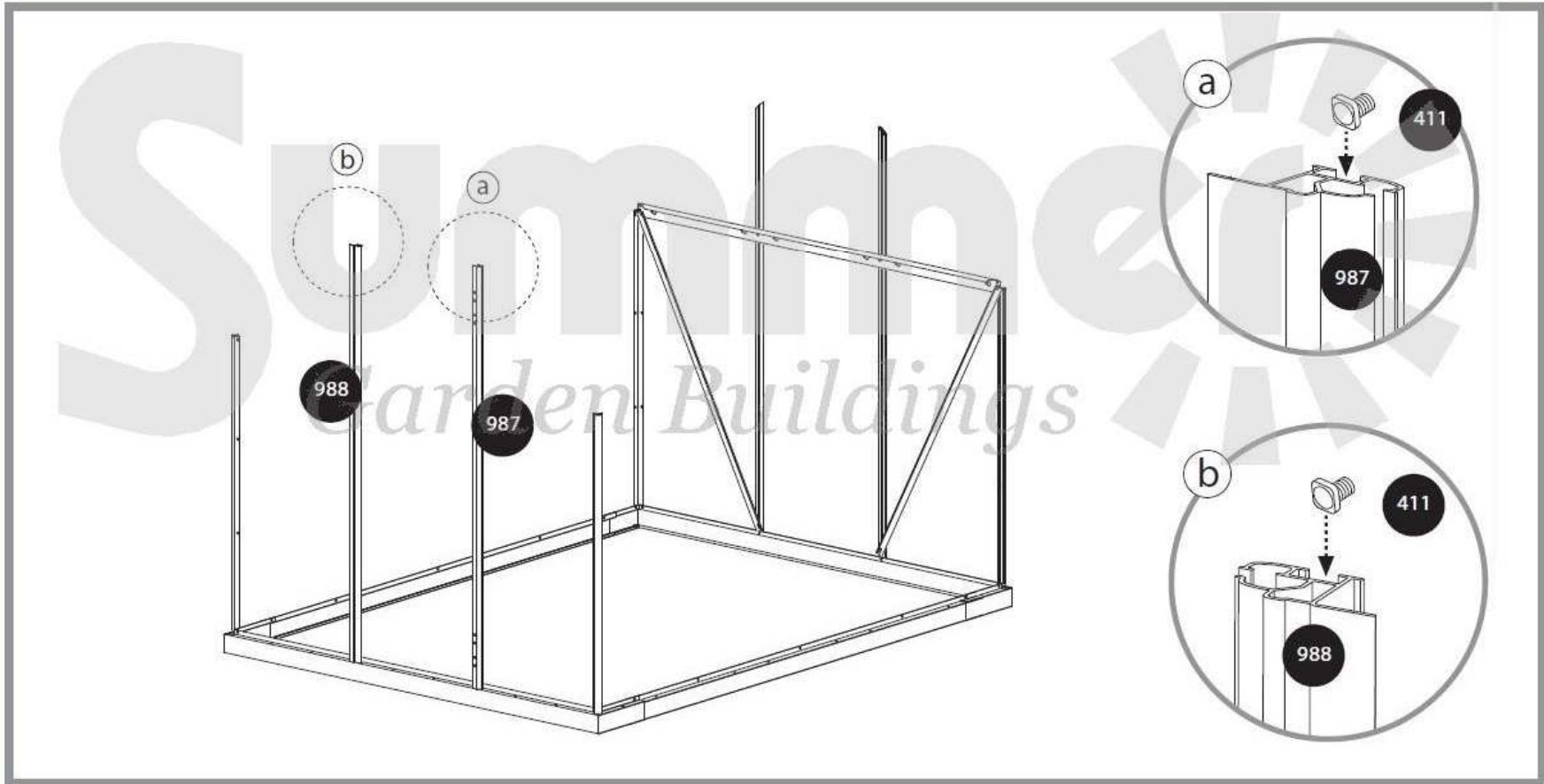




411



x2



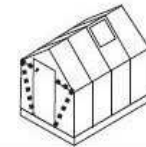
10



412



411



256



x2

286



x2

412

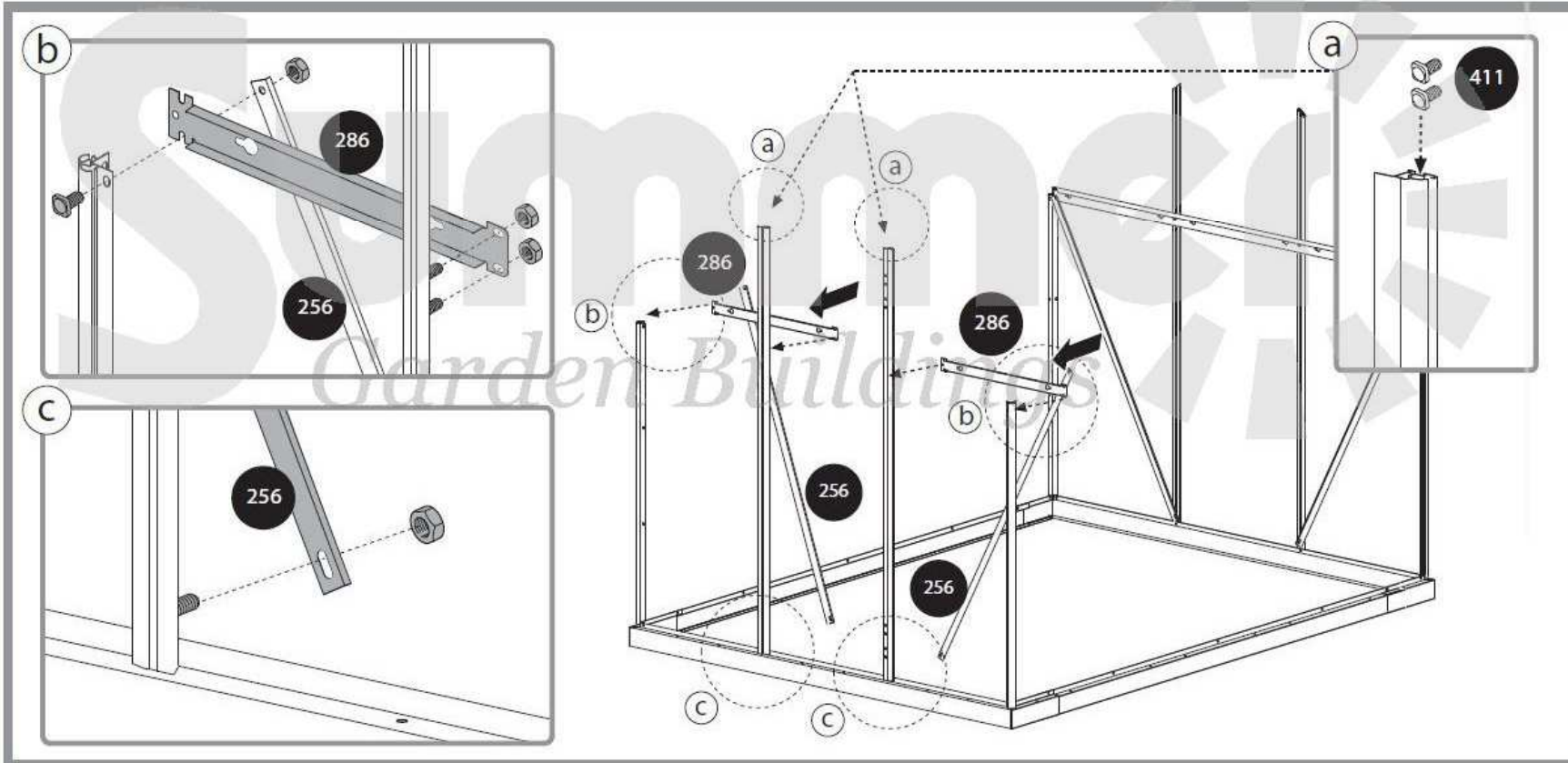


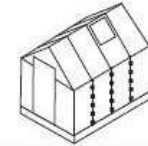
x8

411

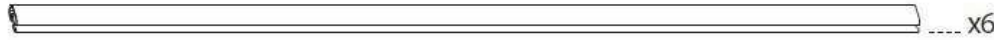


x6

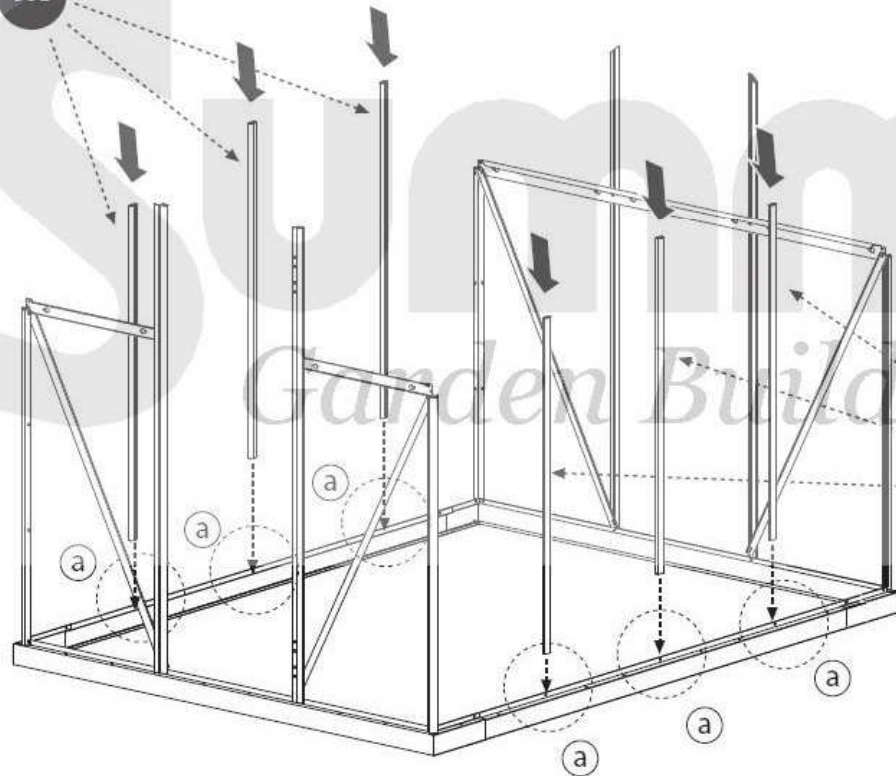




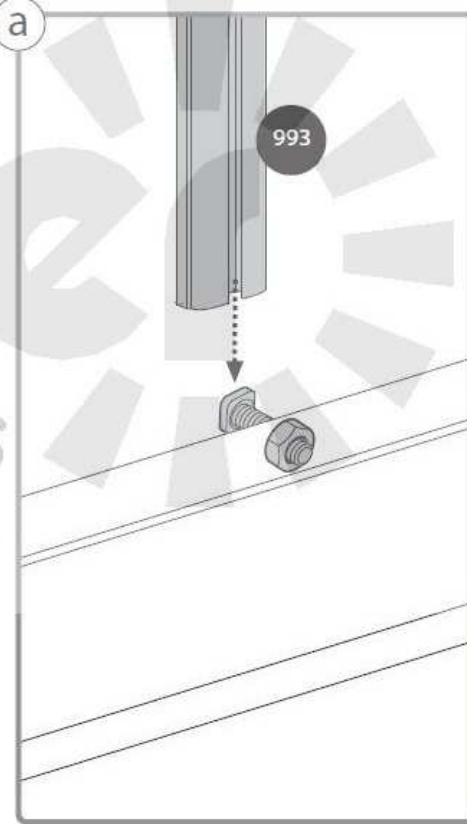
993



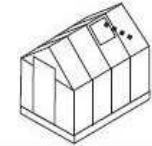
993



a



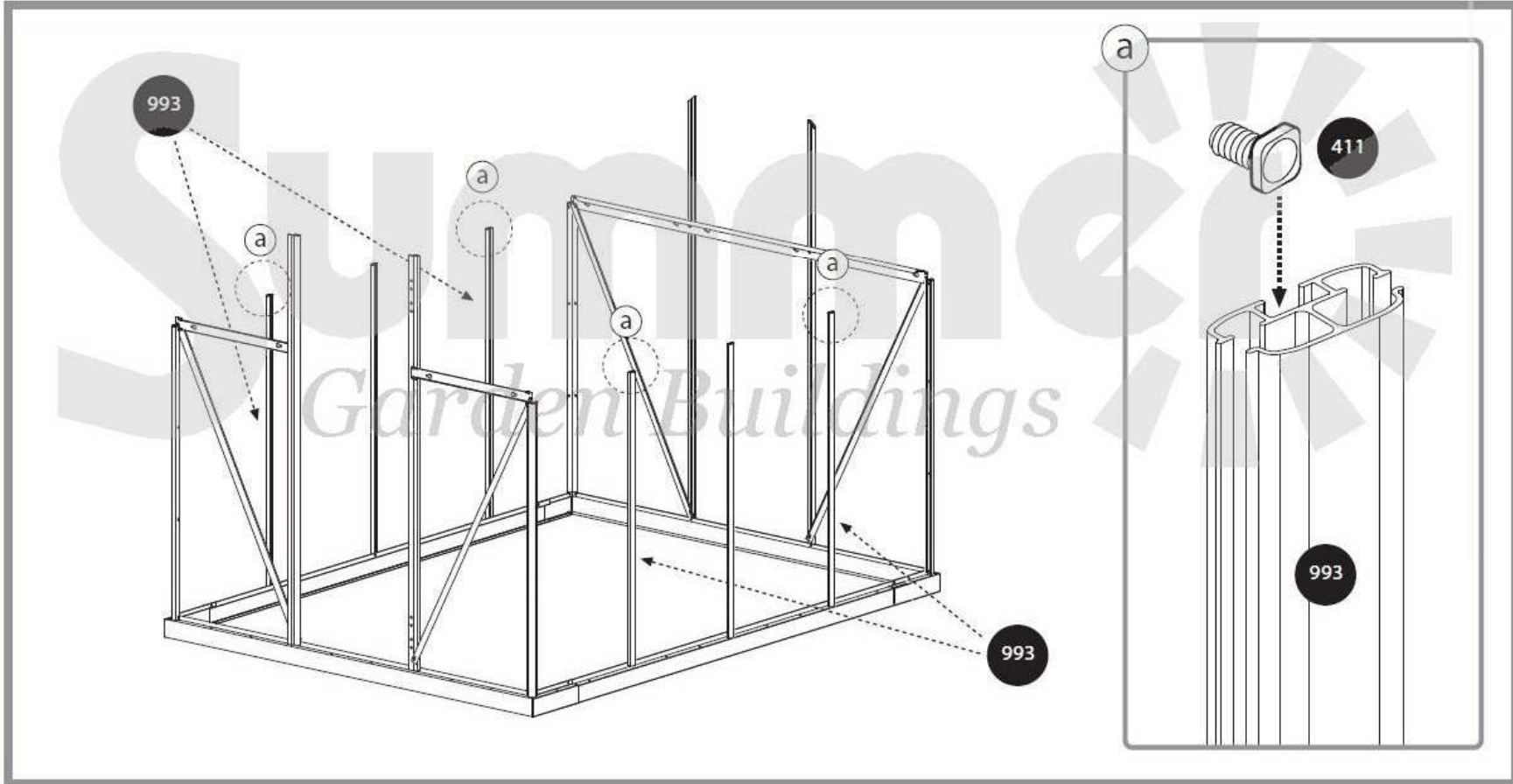
12



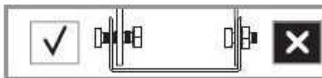
411



x4



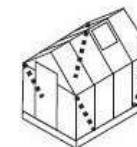
13



412



411



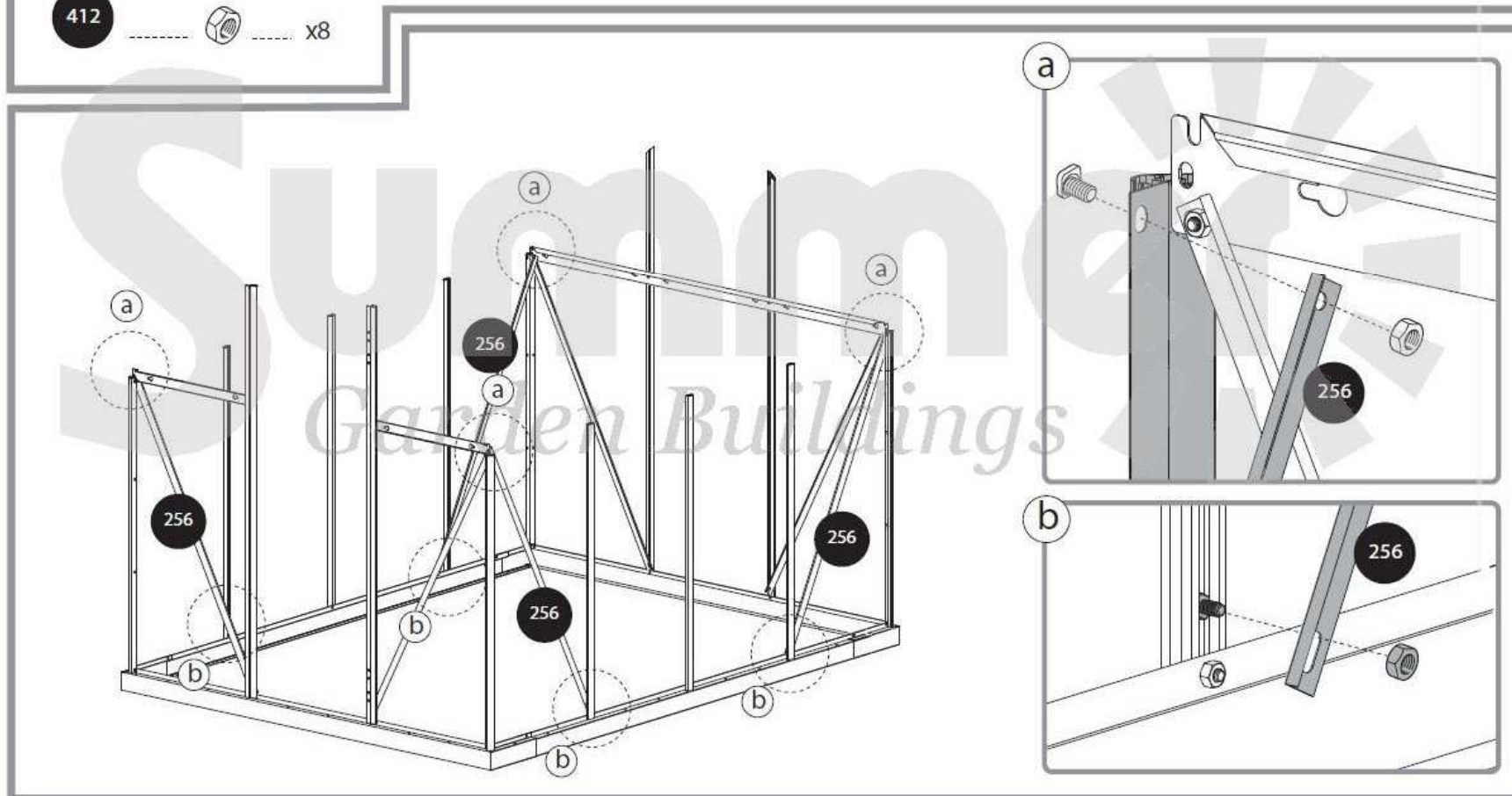
411



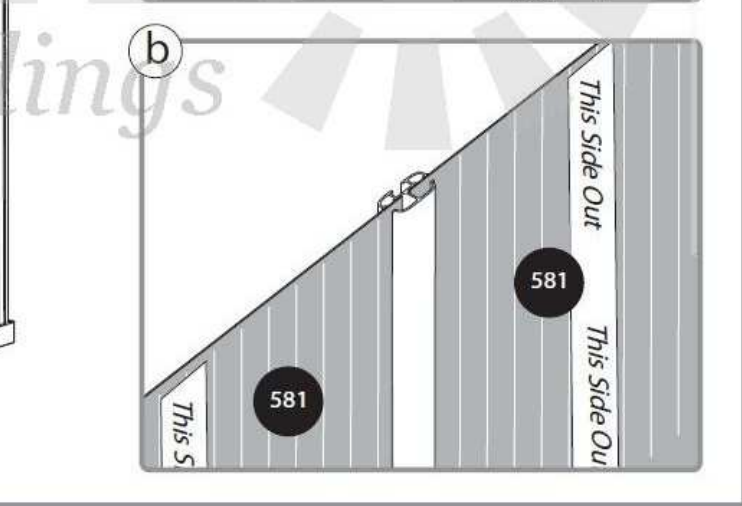
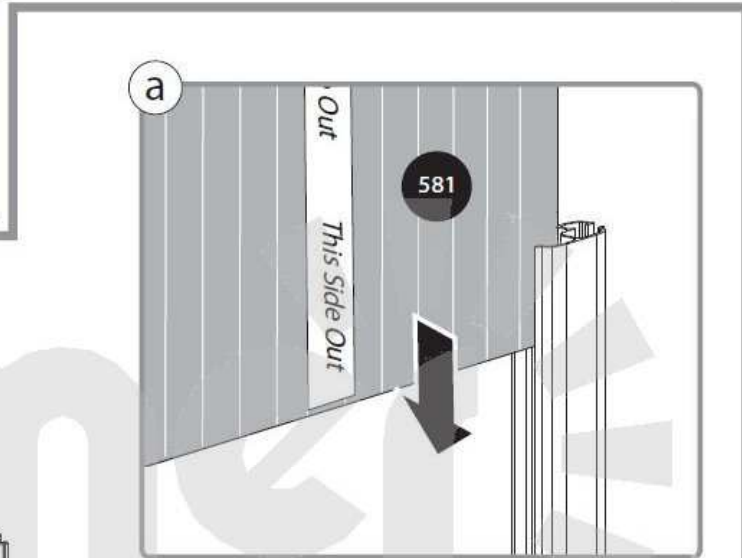
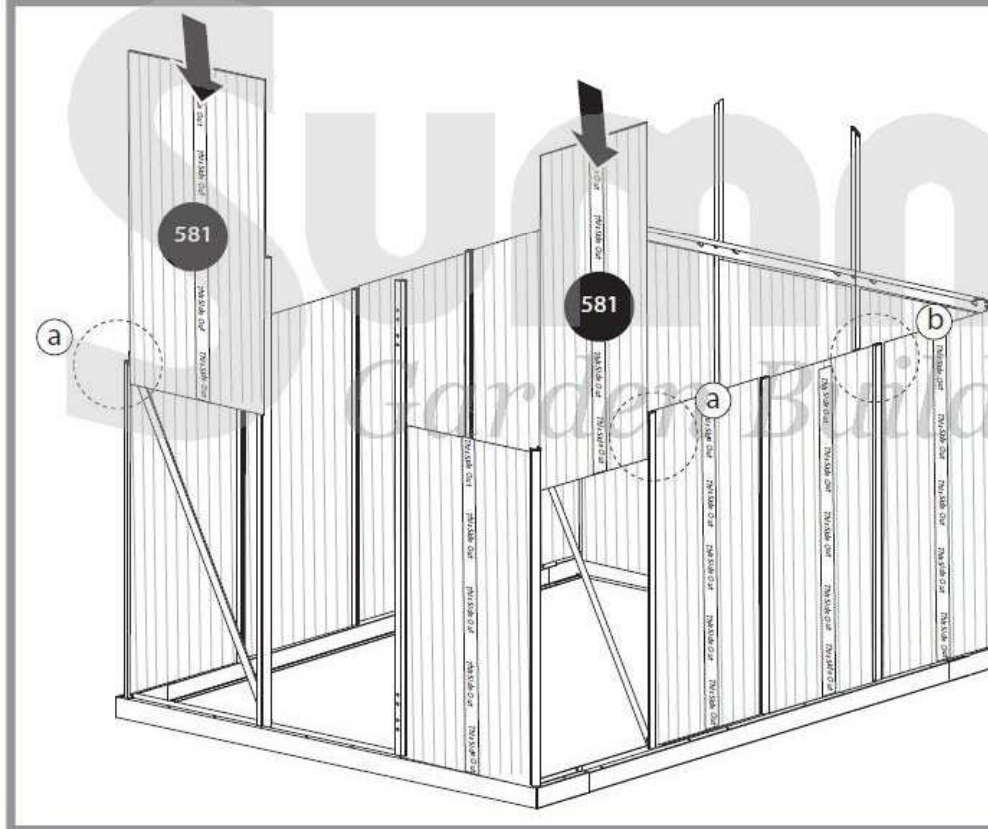
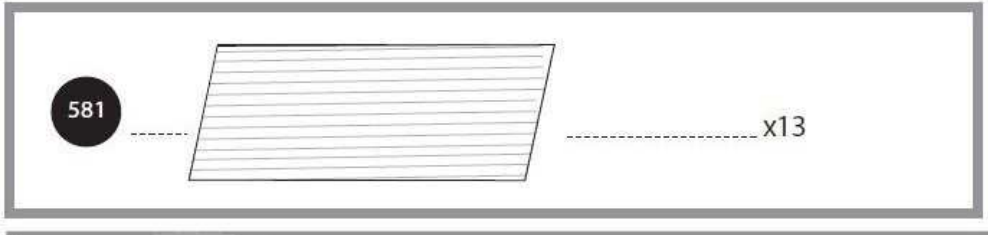
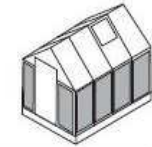
256

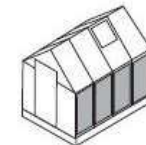


412



14

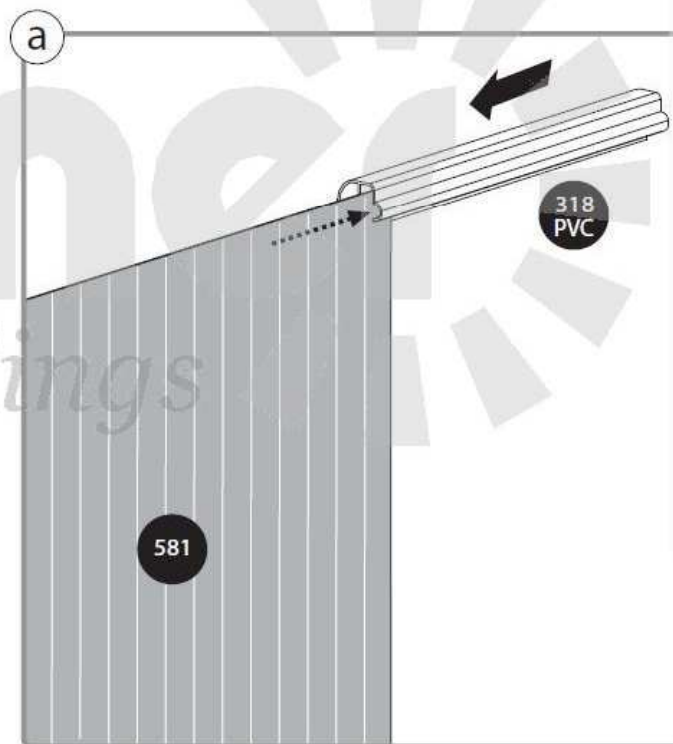
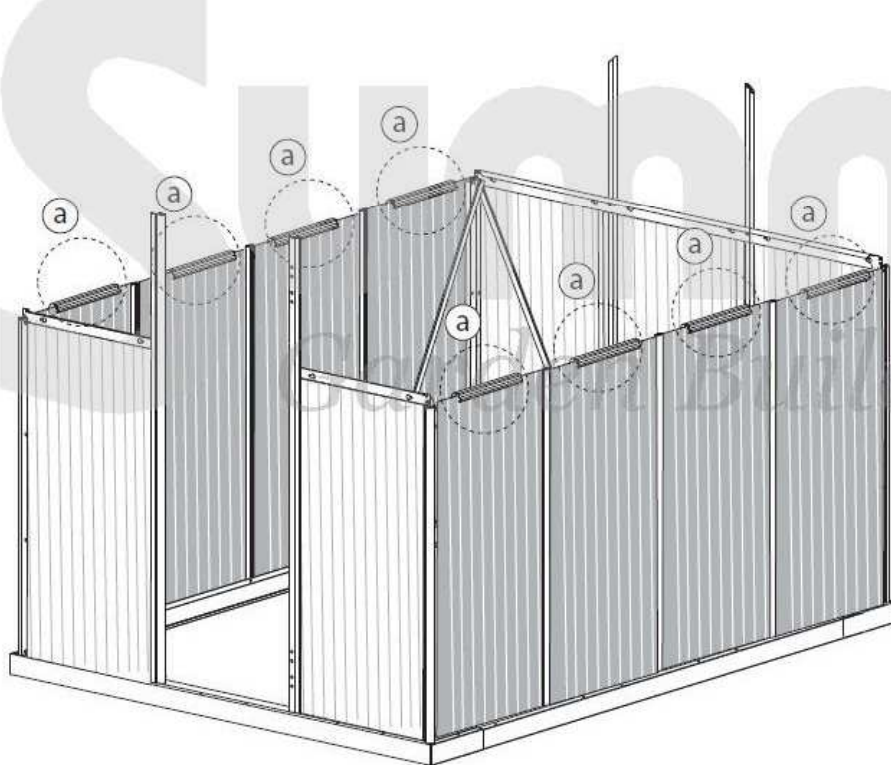




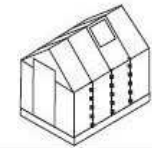
318
PVC



x8

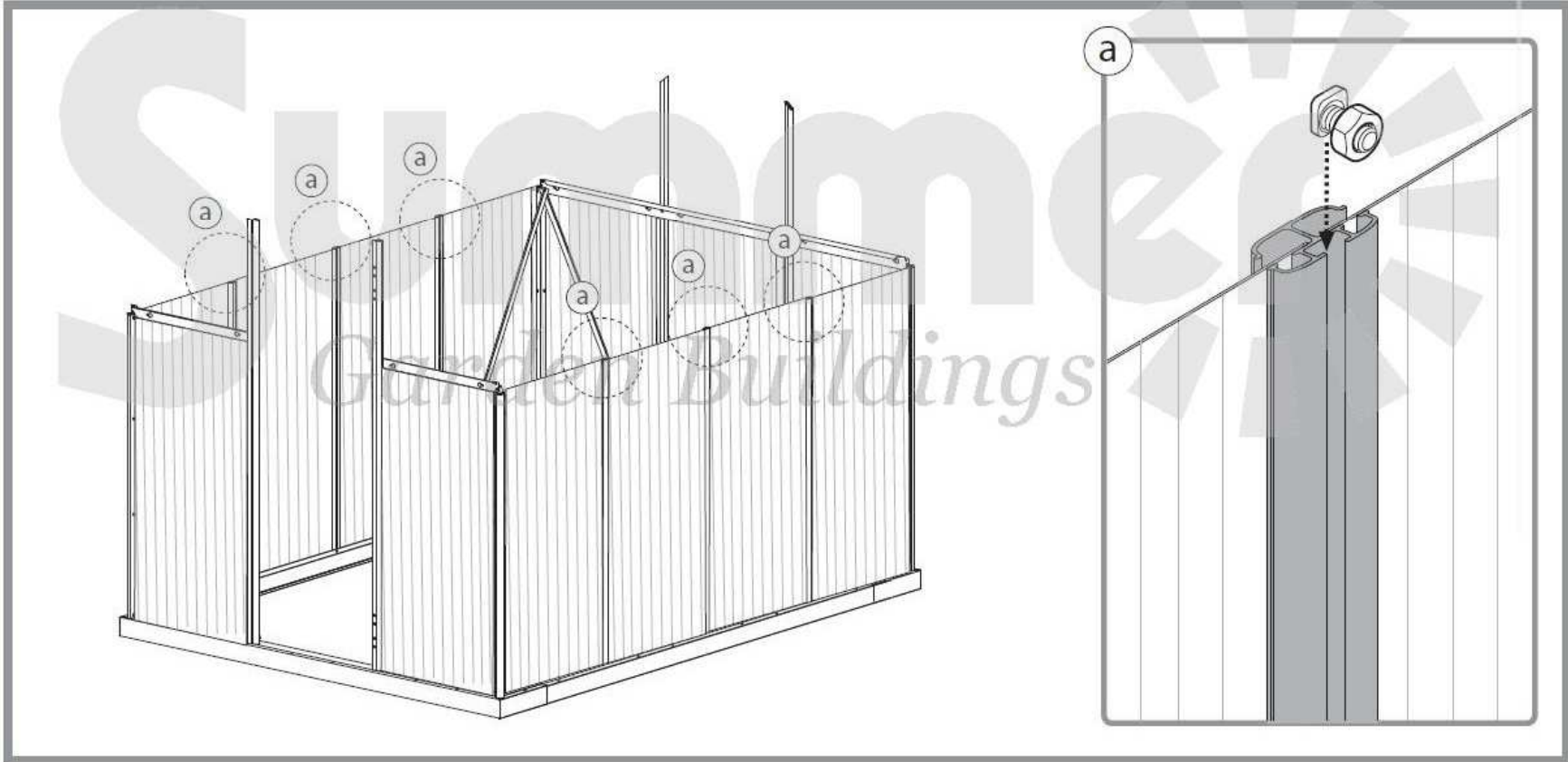


16

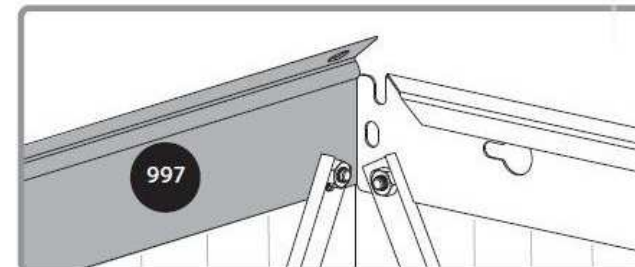
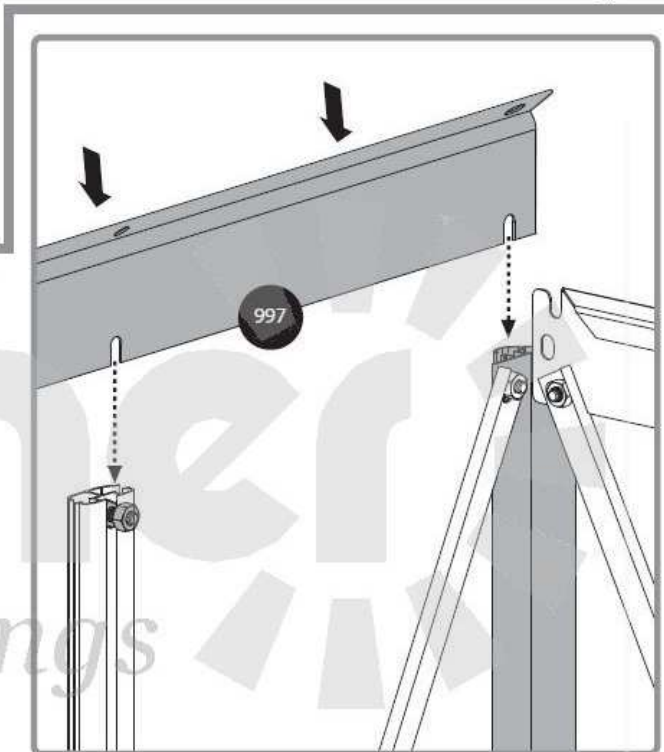
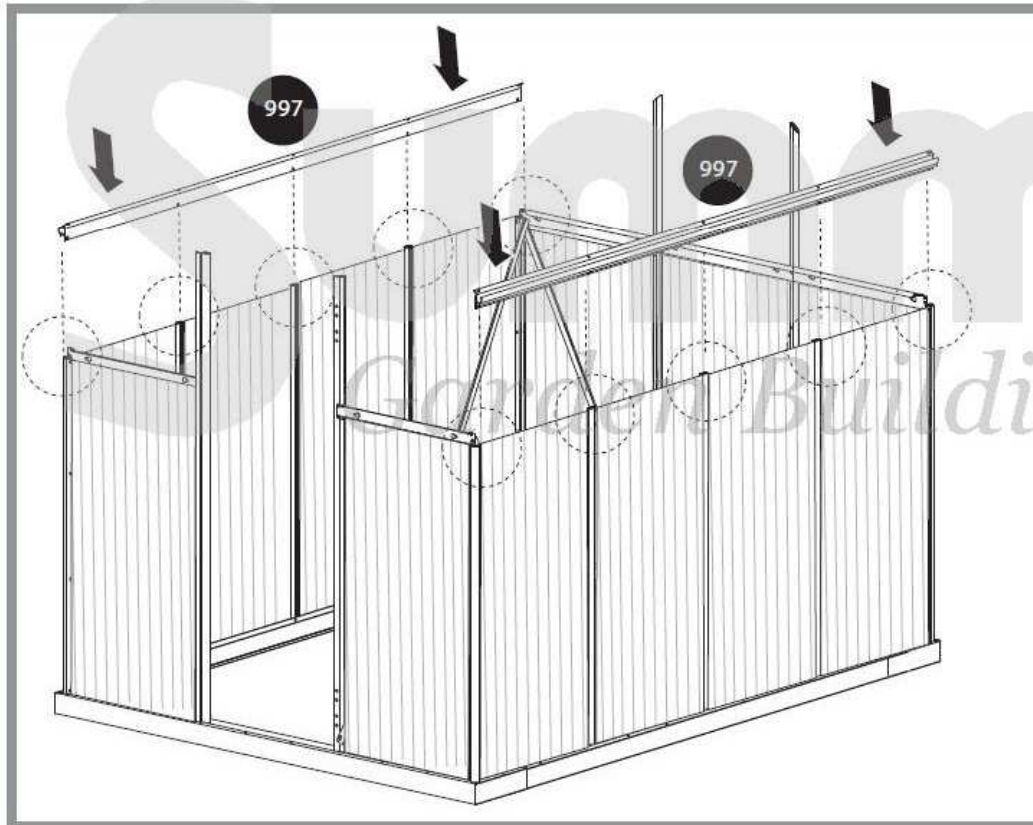
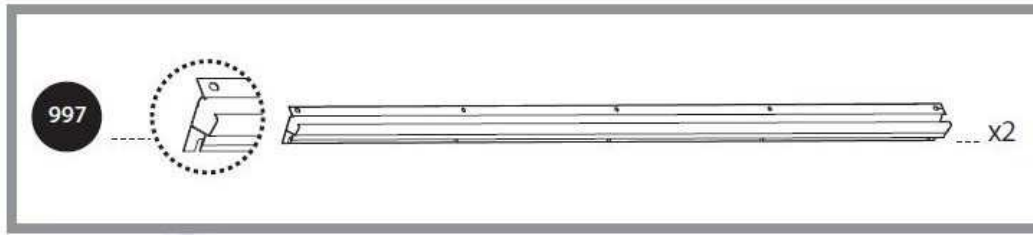
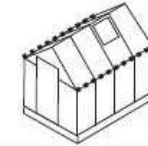
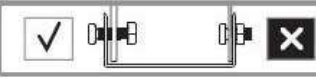


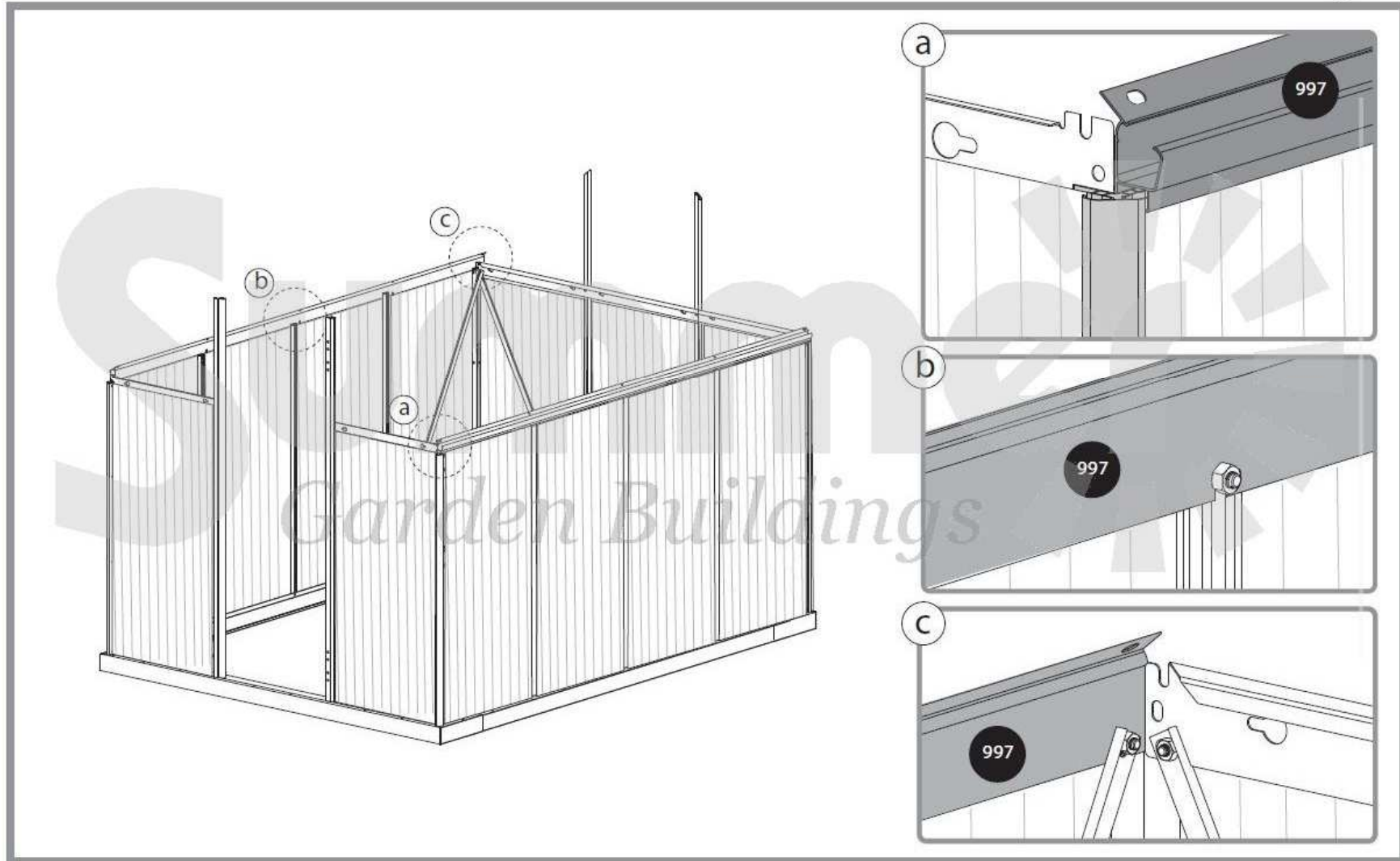
412 x6

411 x6

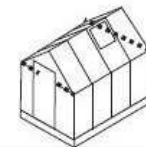


17





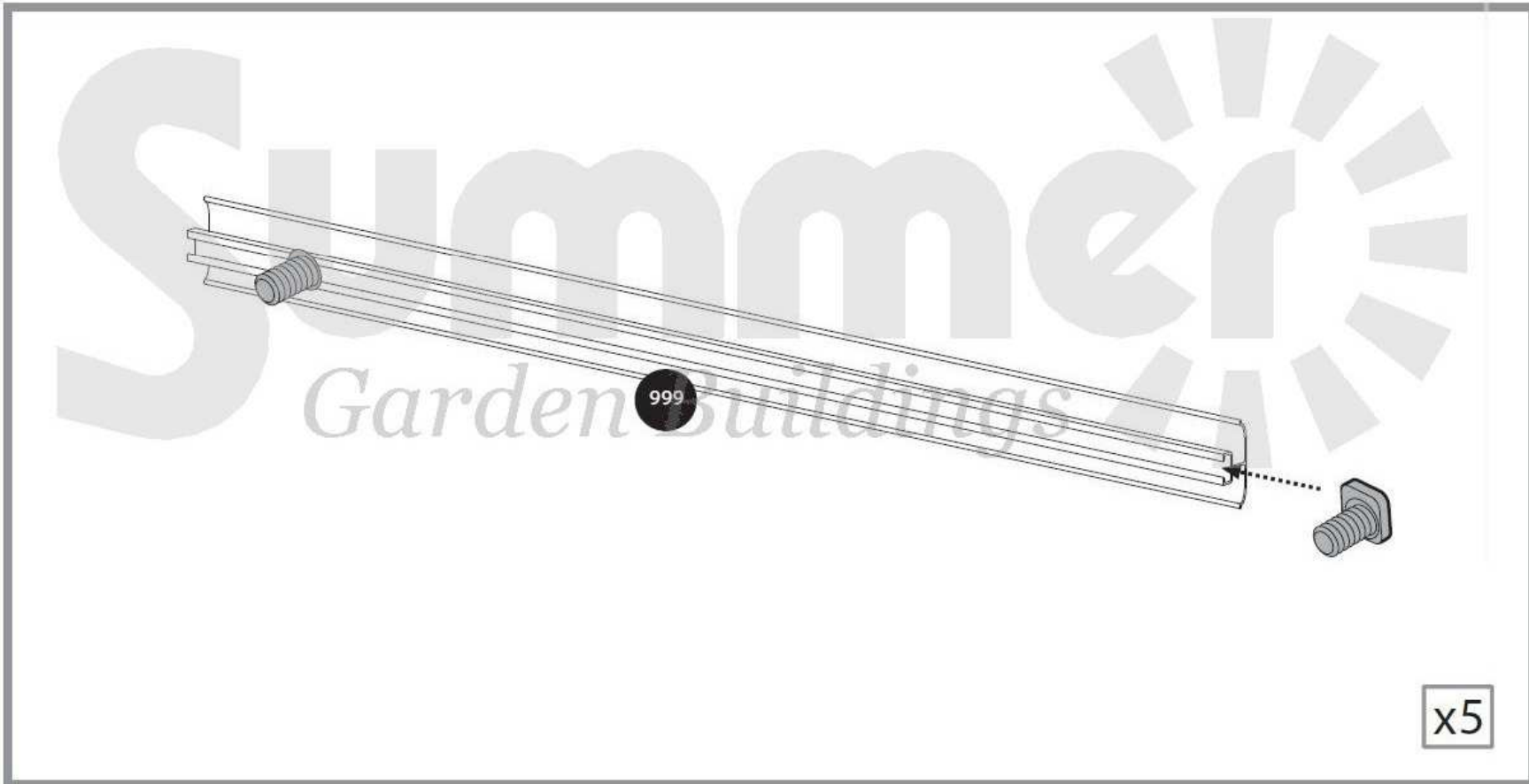
19



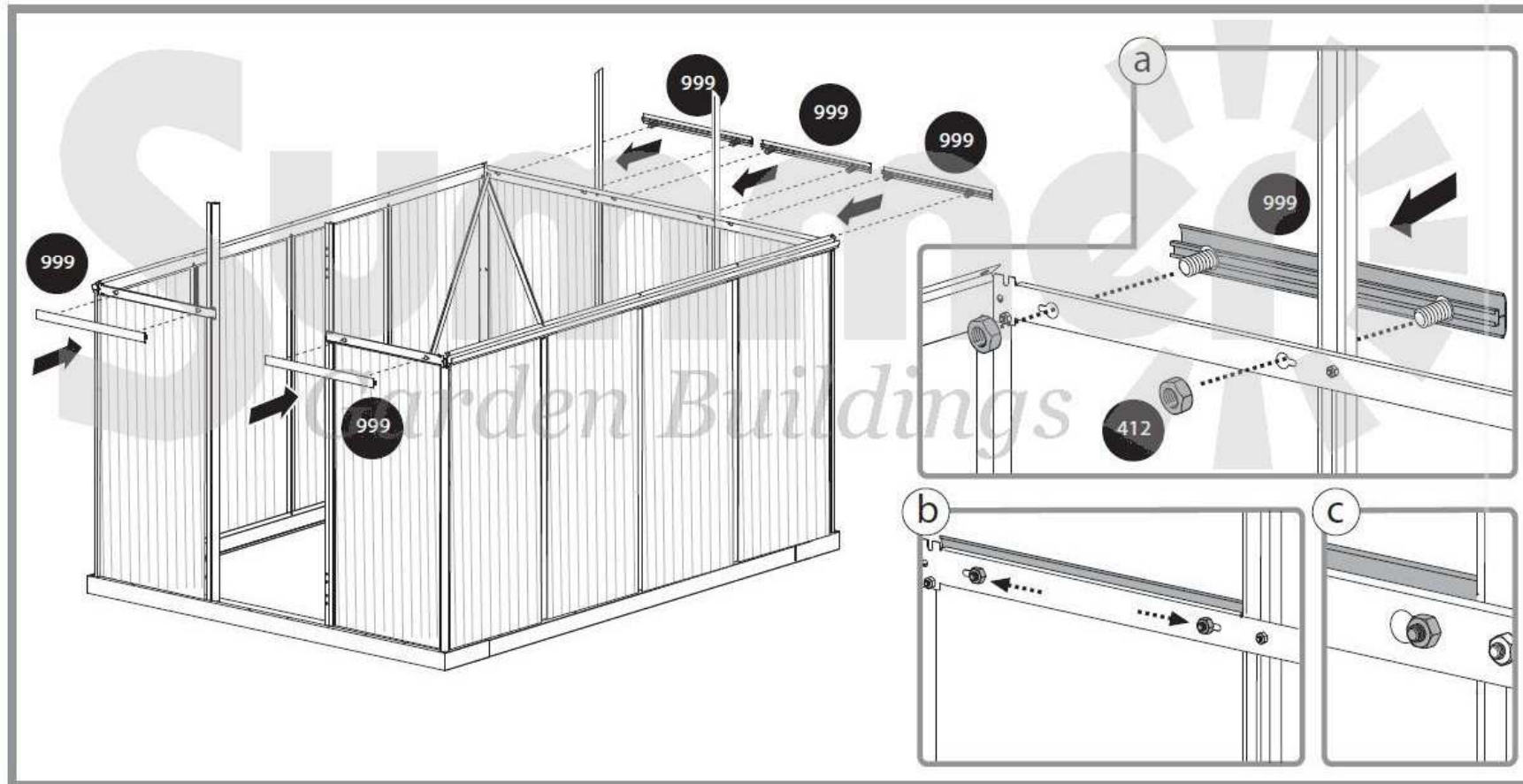
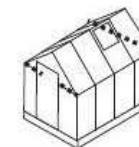
999



411



20



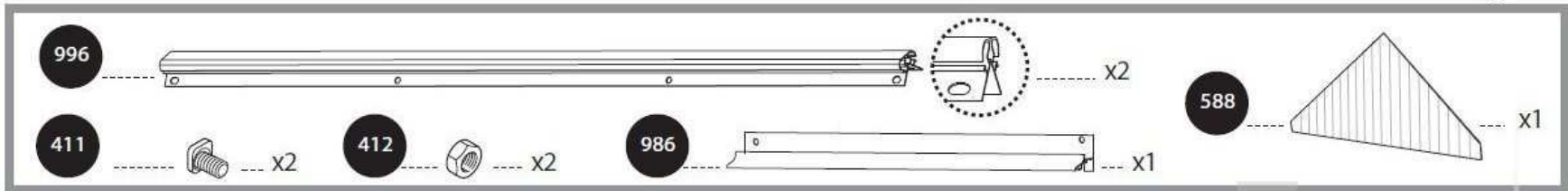
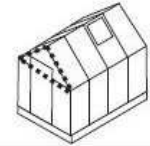
21



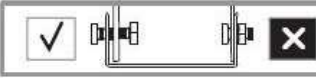
412



411



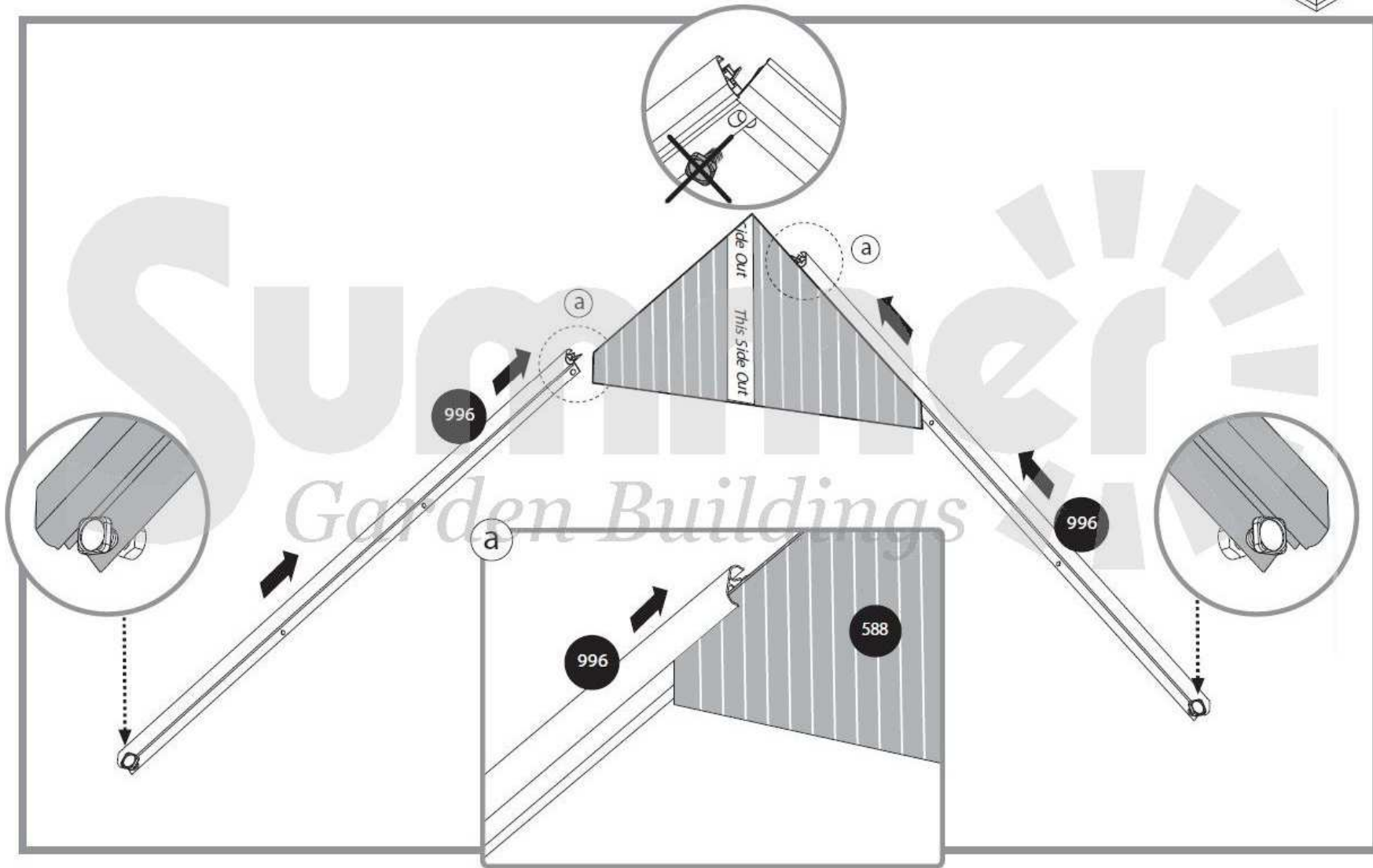
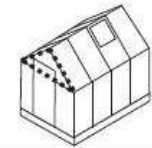
22

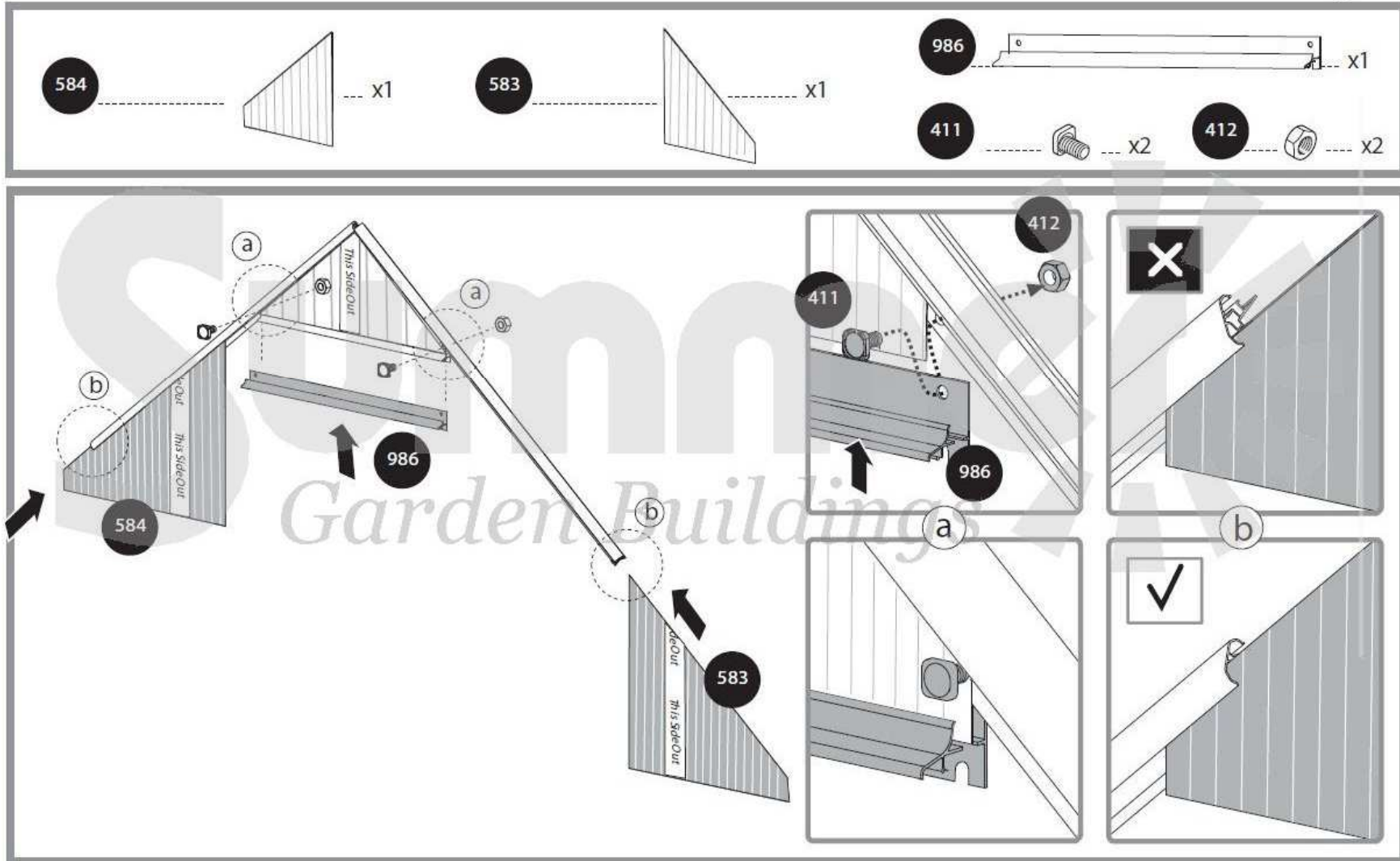
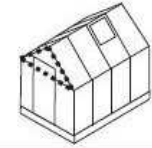


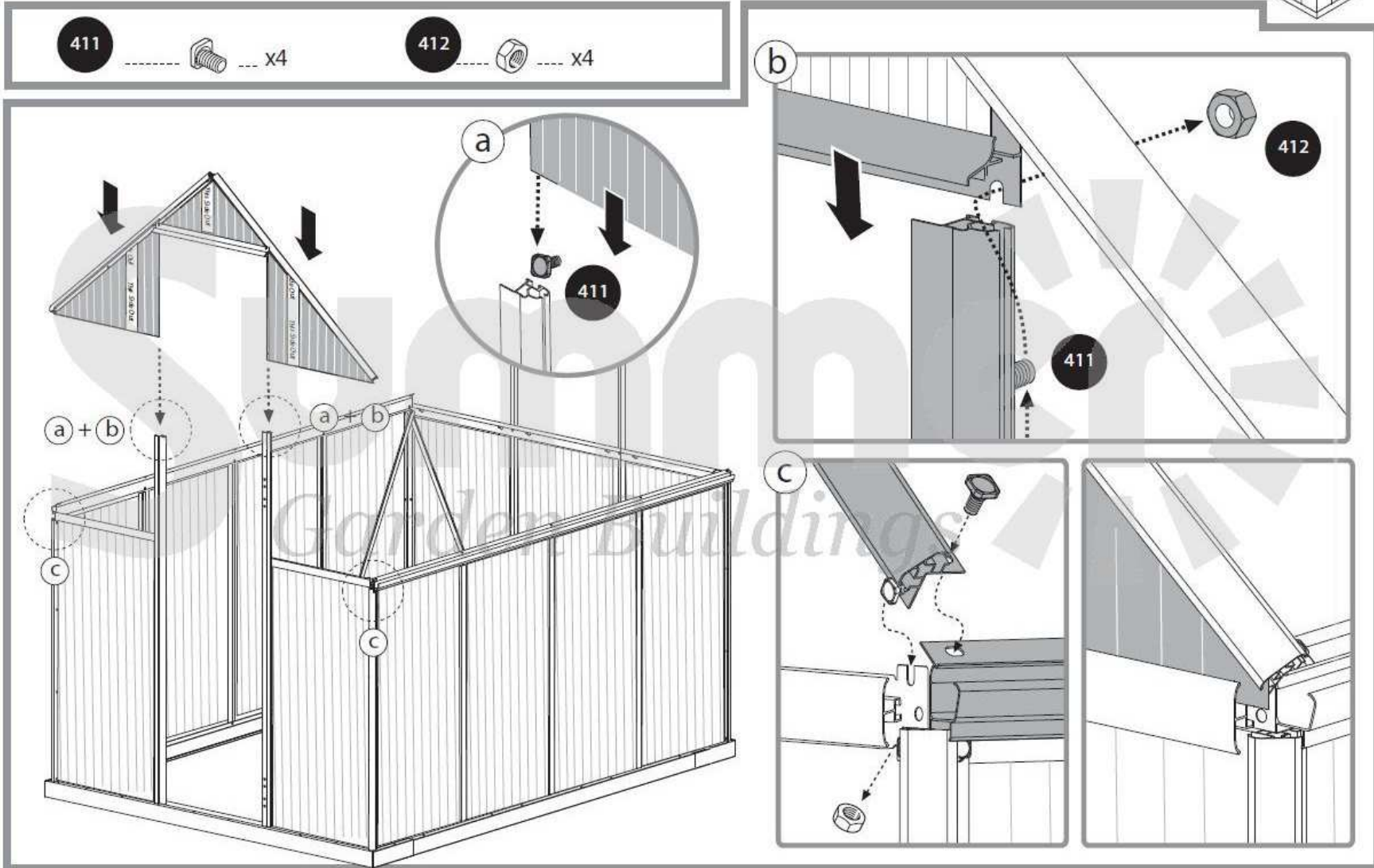
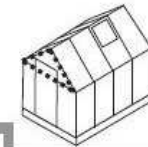
412

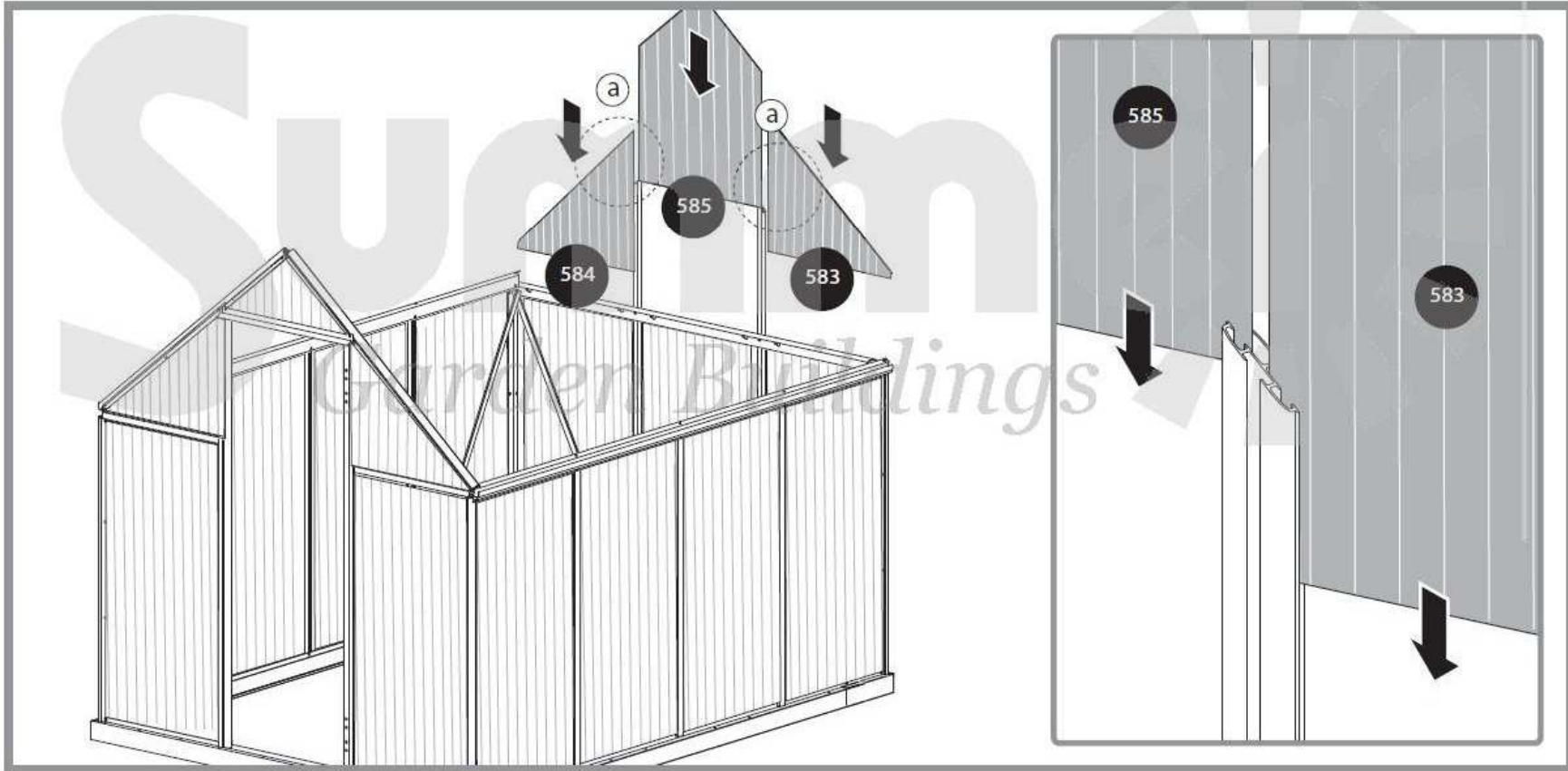
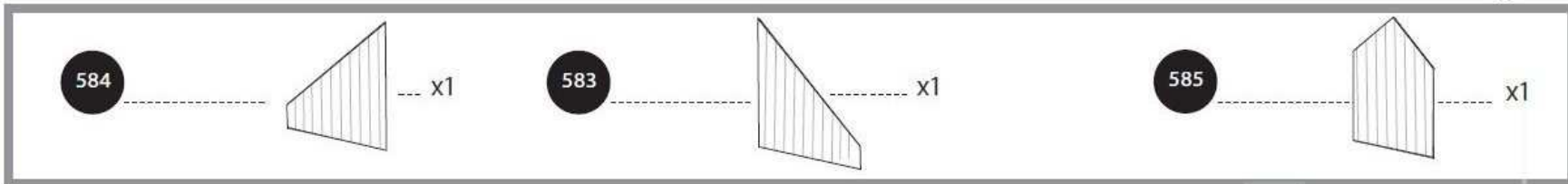
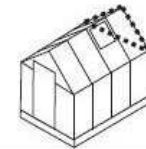


411

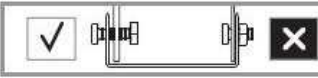








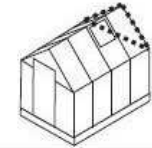
26



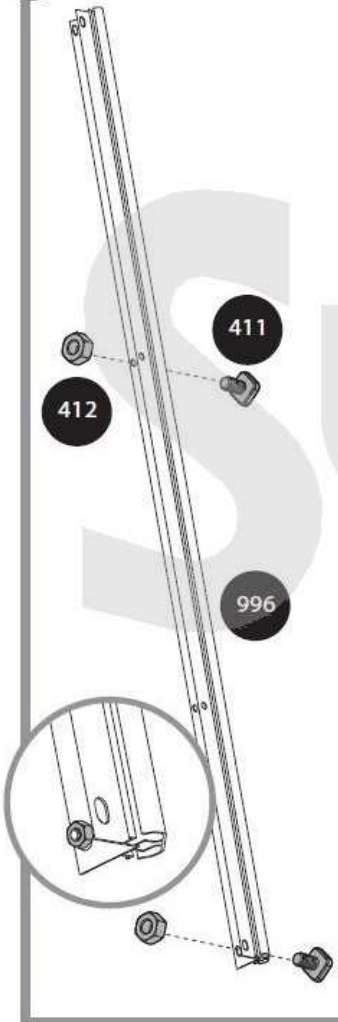
412



411



a



996



x2

412



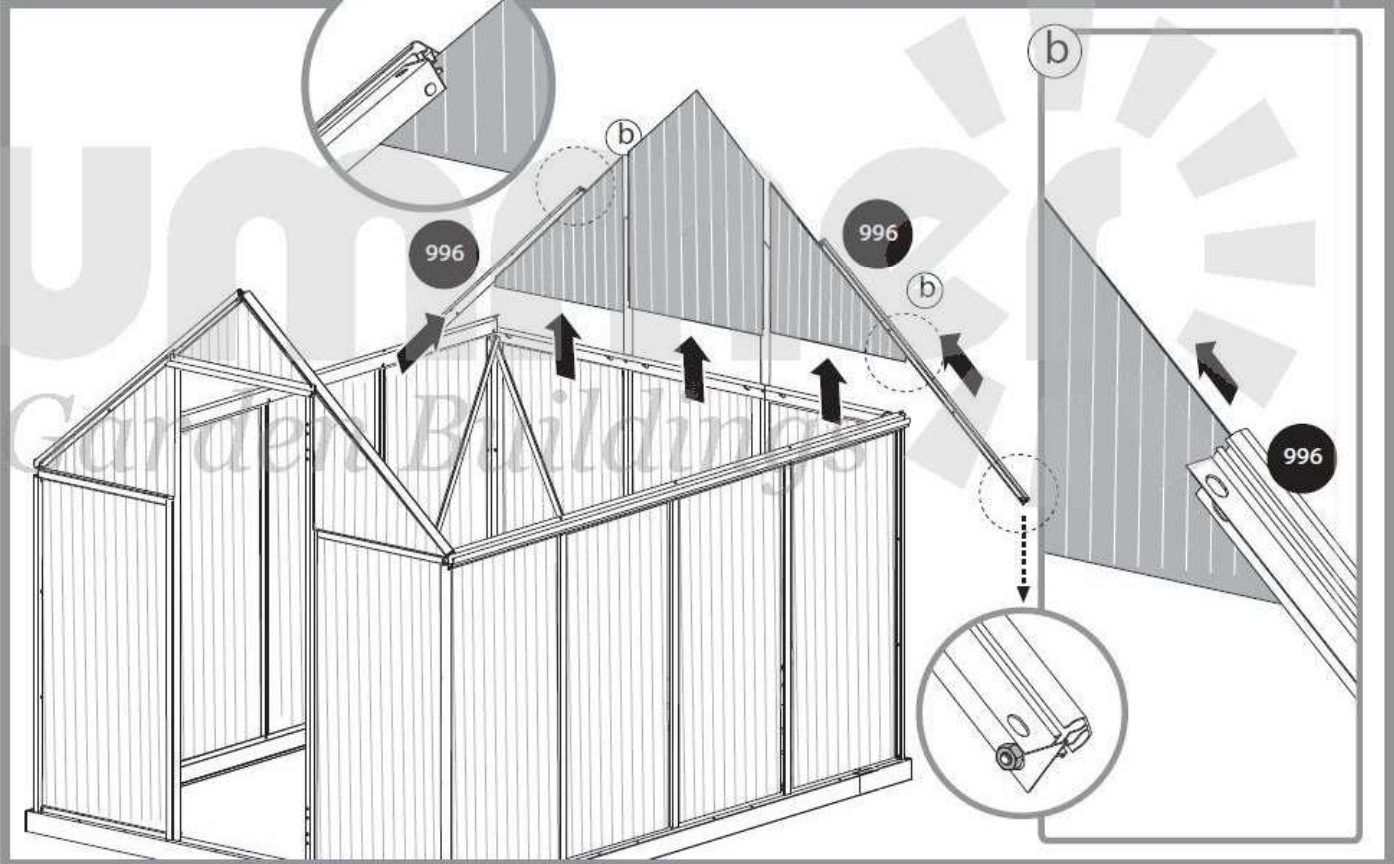
x4

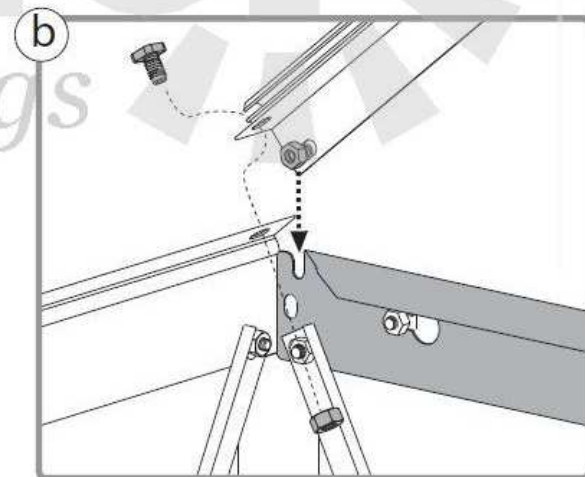
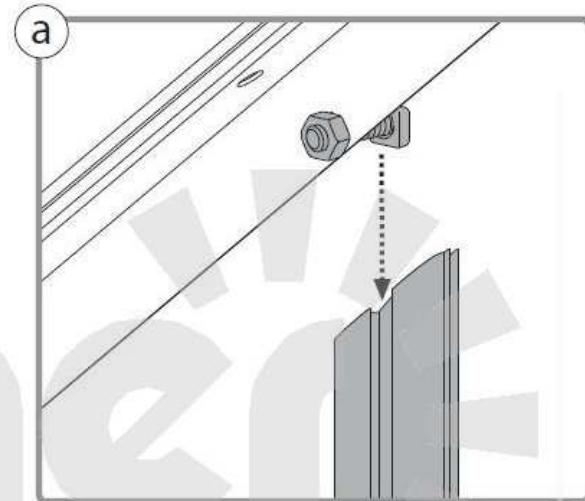
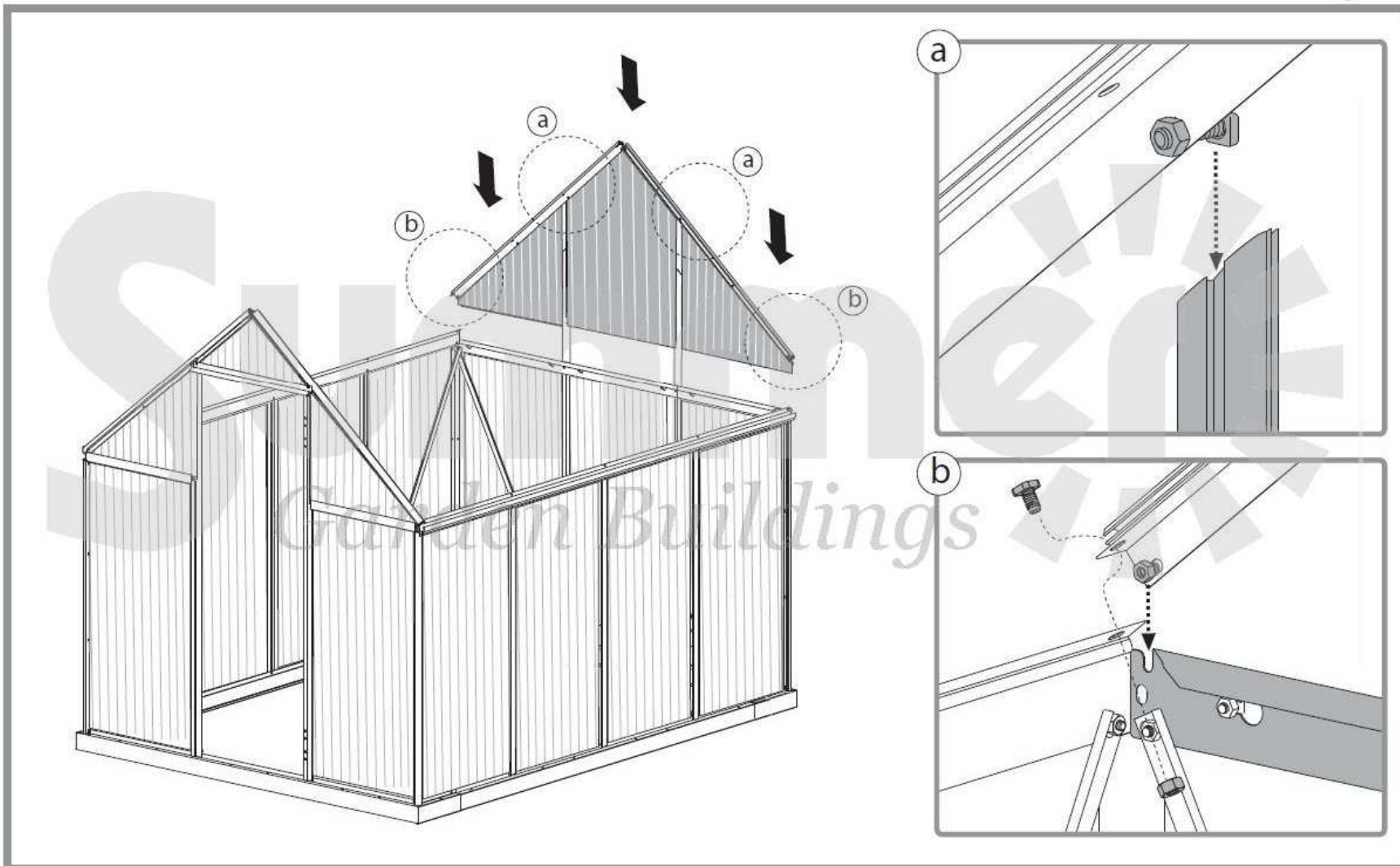
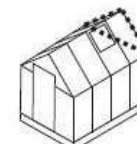
411

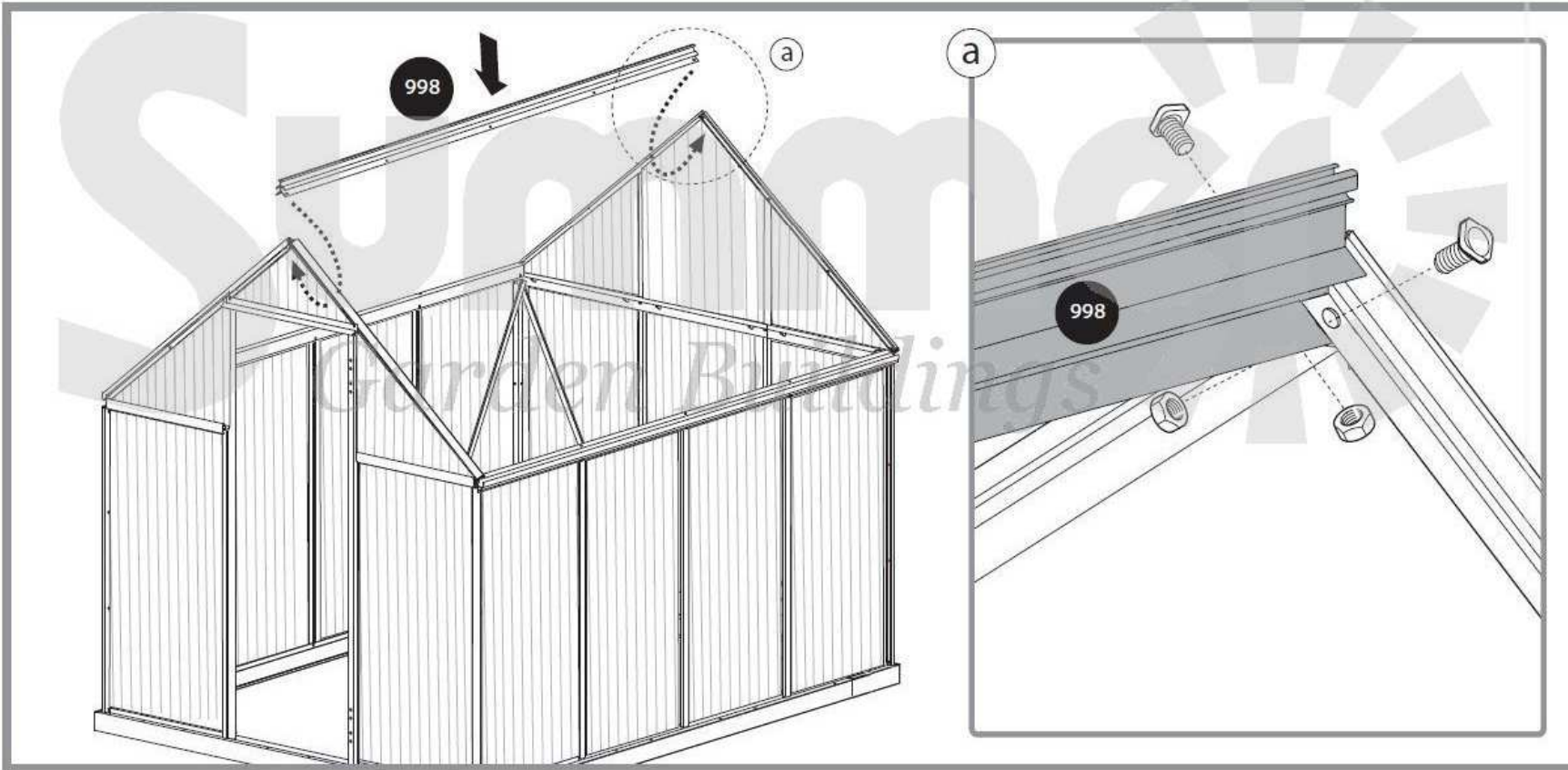
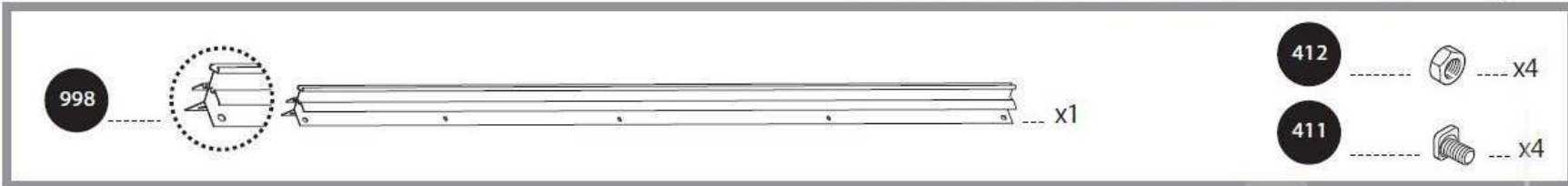
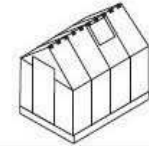


x4

b







29



412



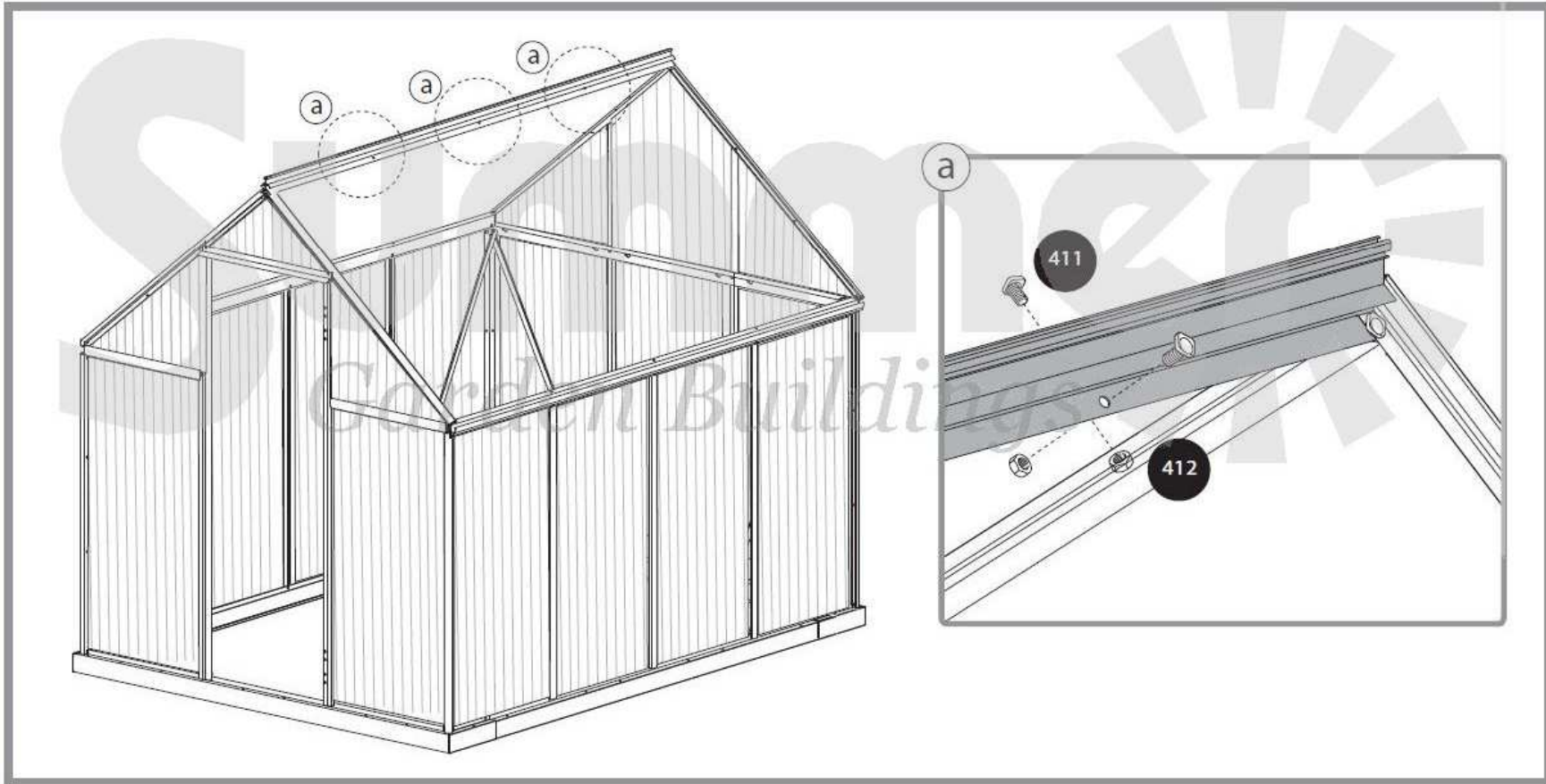
411



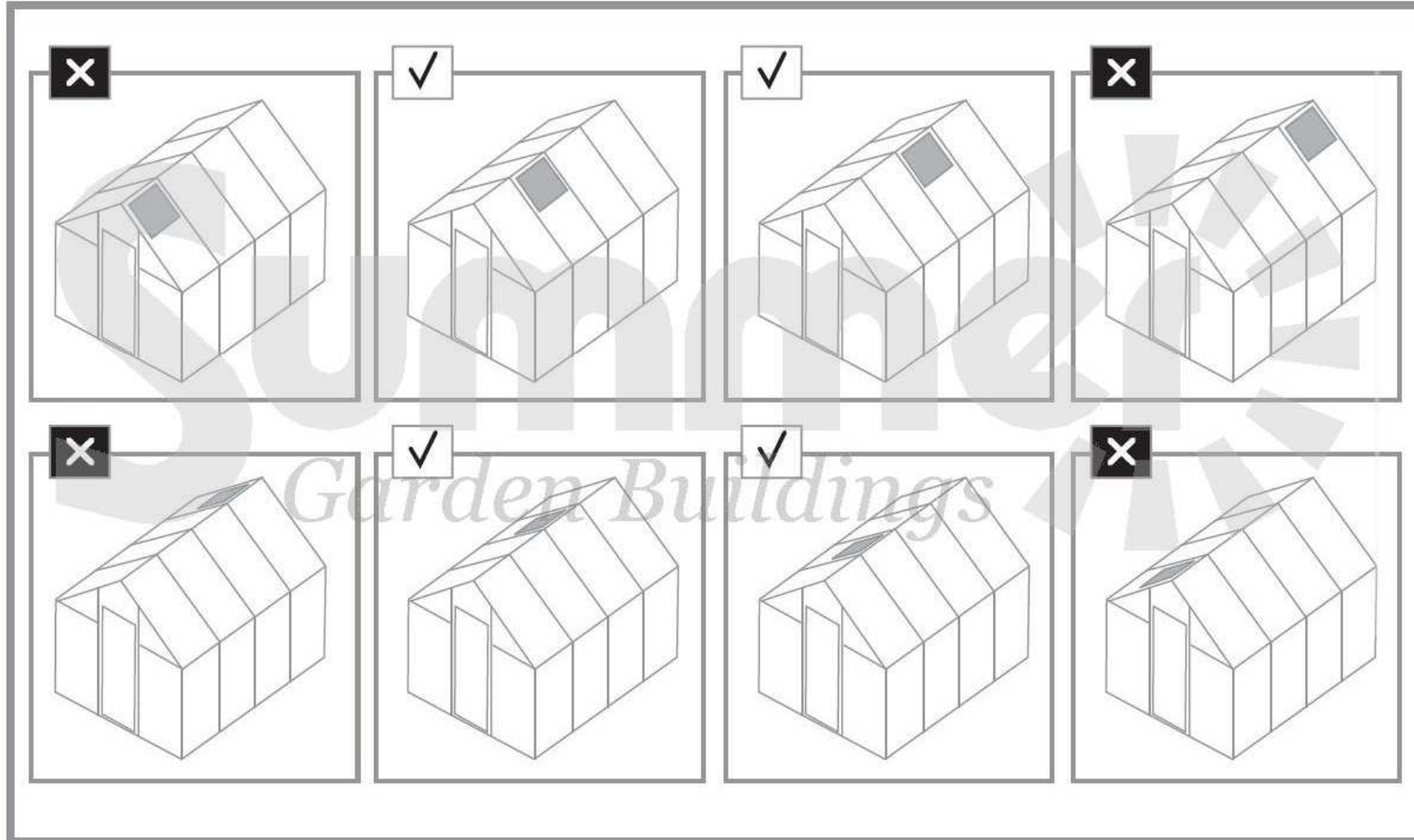
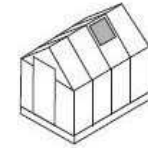
411



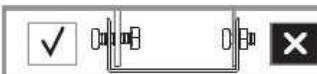
412



EN Window Location
GR Fenster Standort
FR Fenêtre Emplacement
SP Ventana Ubicación



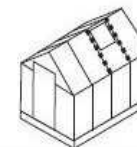
31



412



411

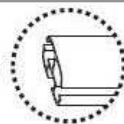


288



x2

993



x2

411



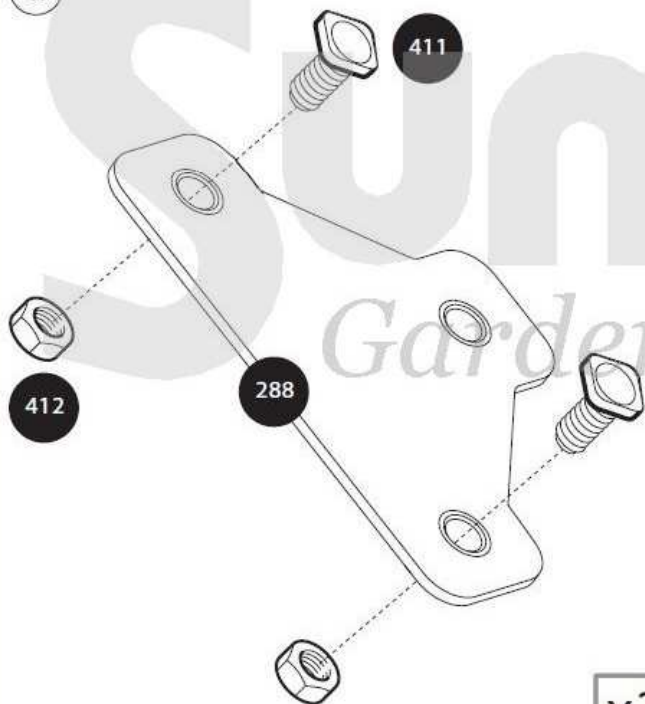
x4

412

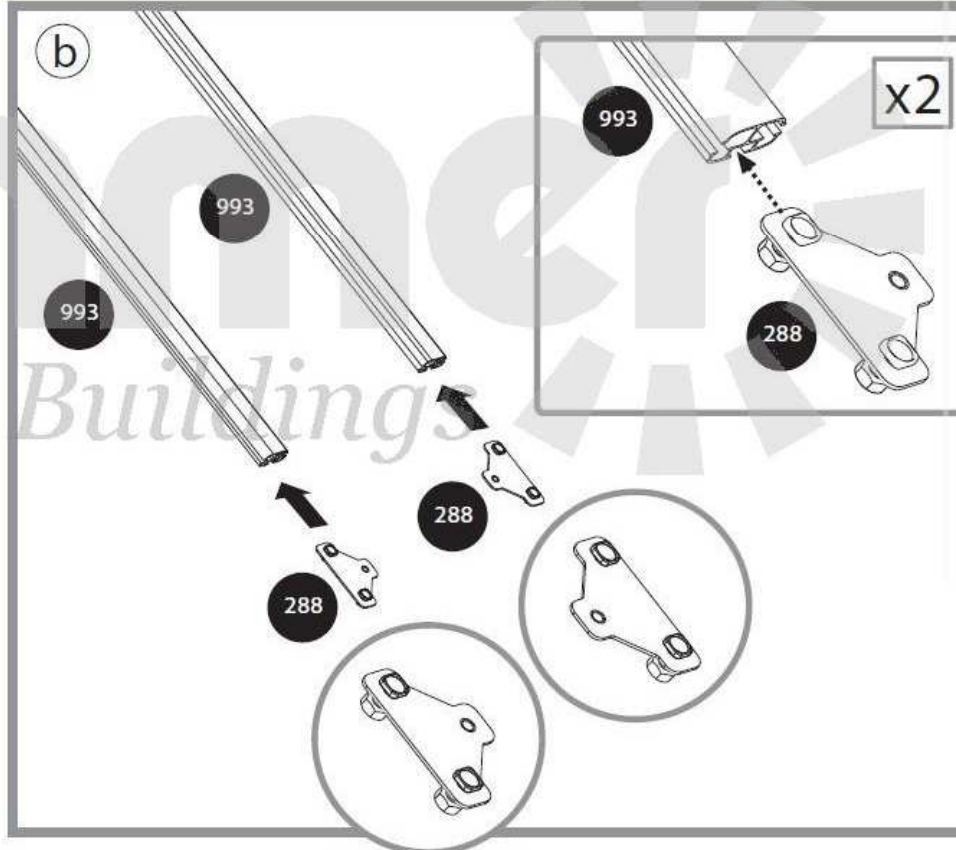


x4

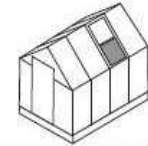
a



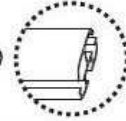
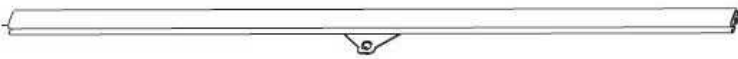
b



32



993



x2

411

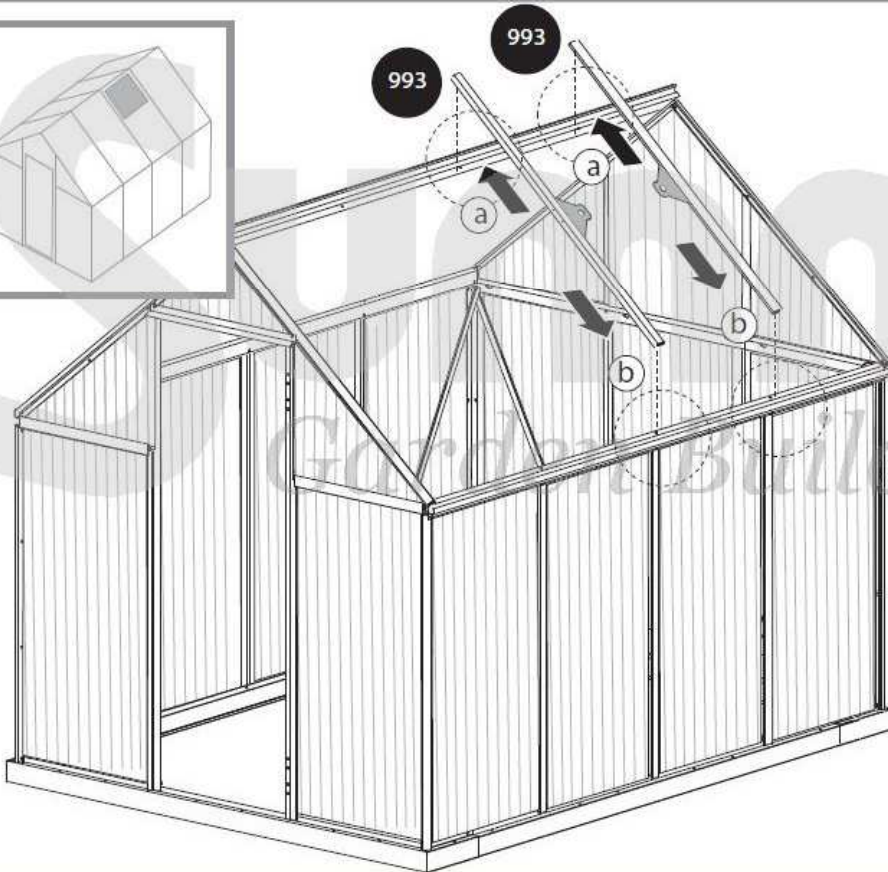
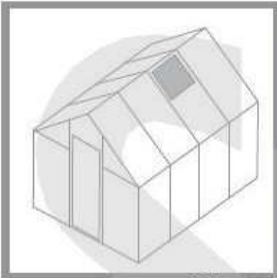


x2

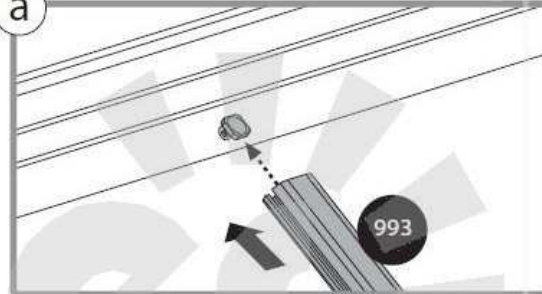
412



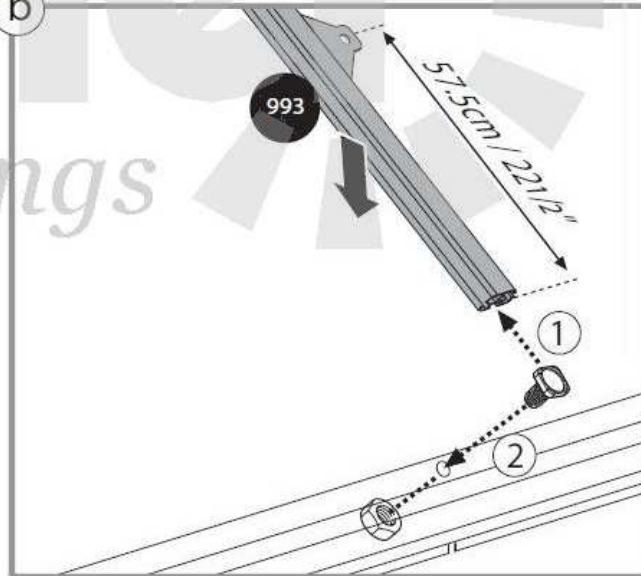
x2

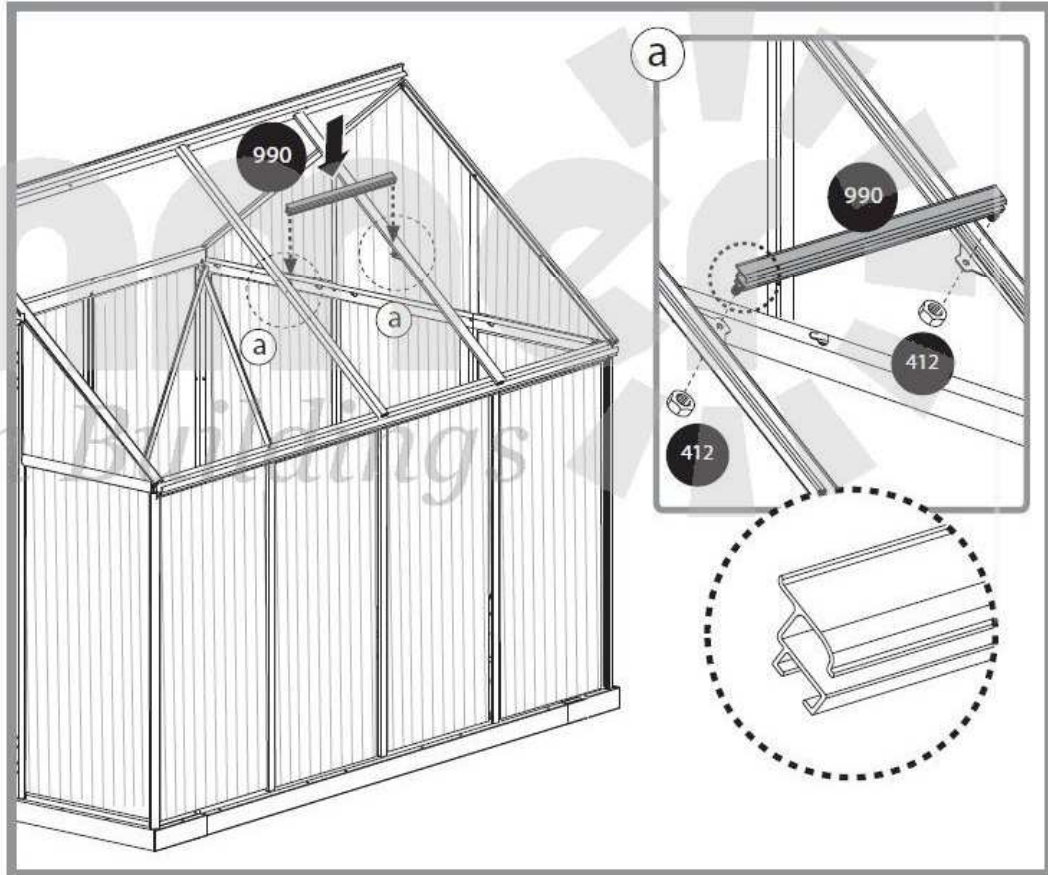
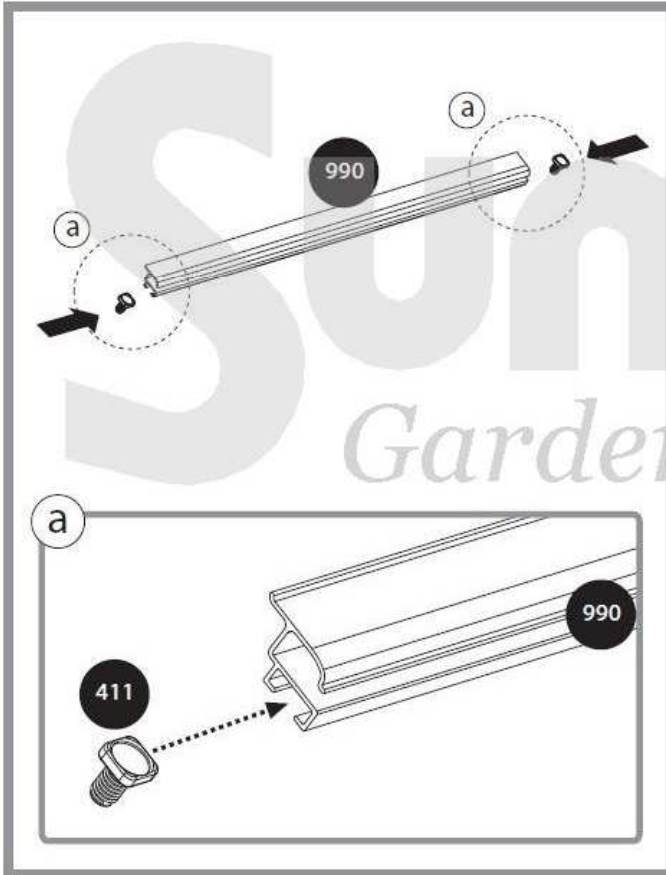
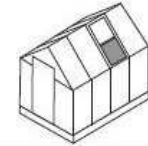


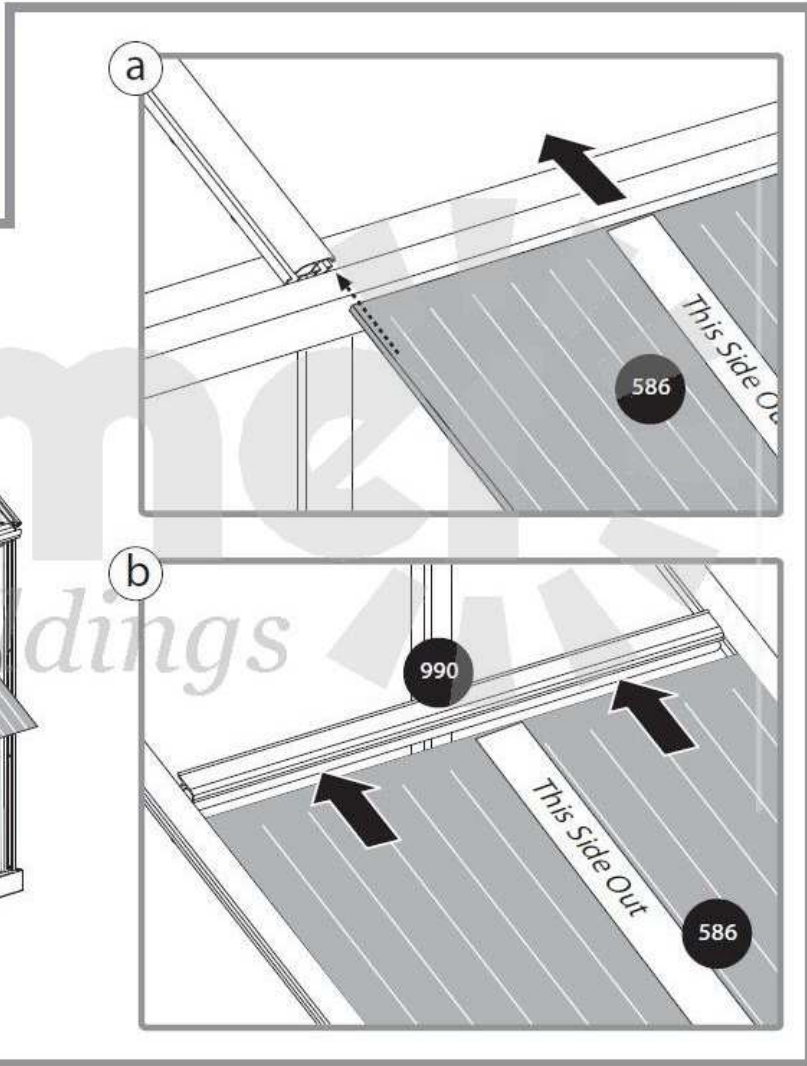
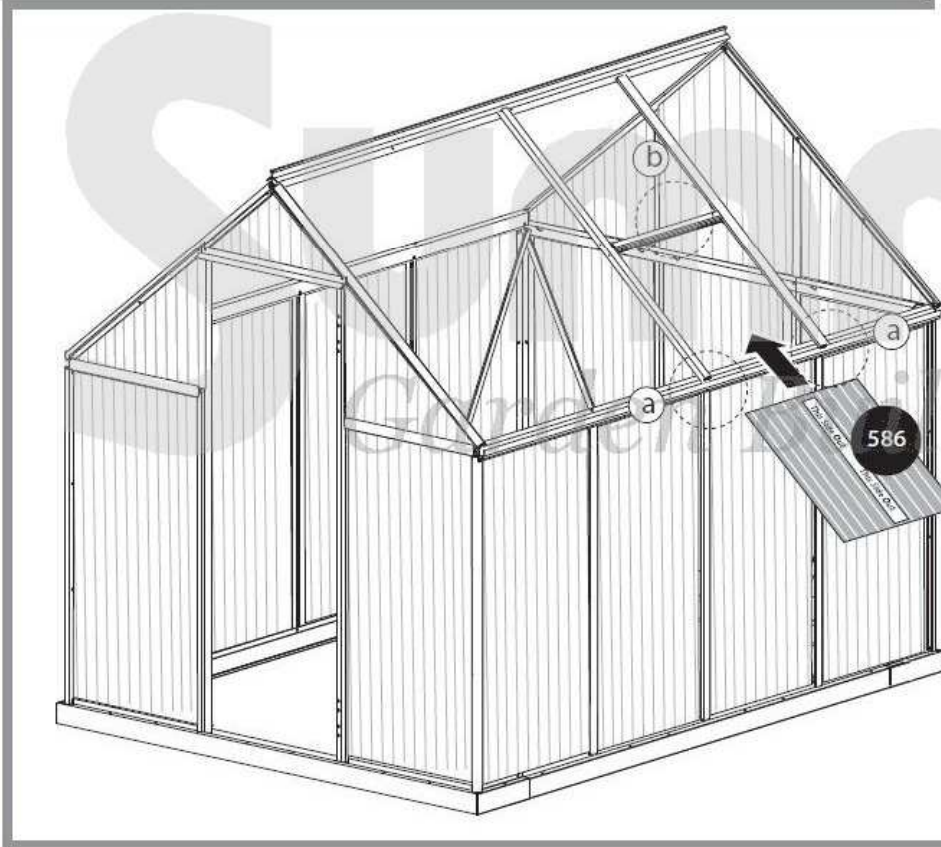
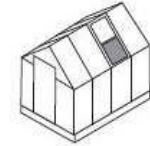
a

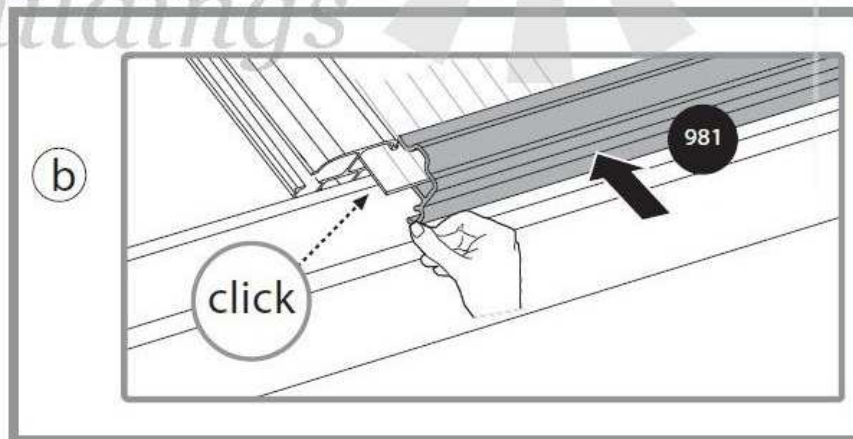
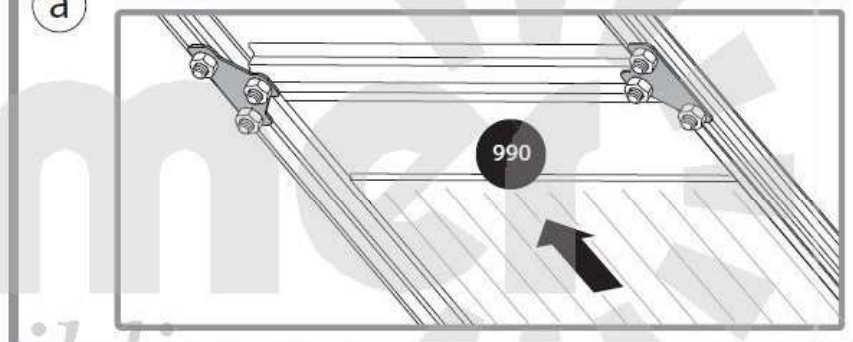
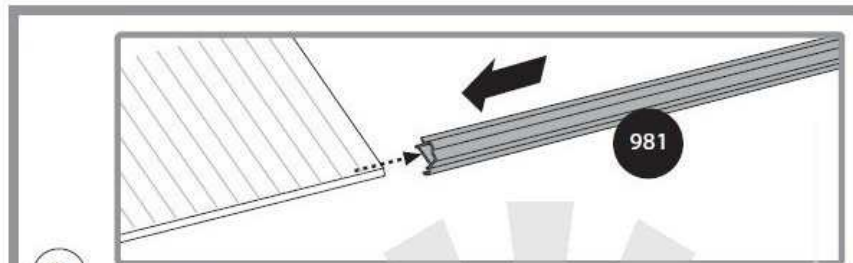
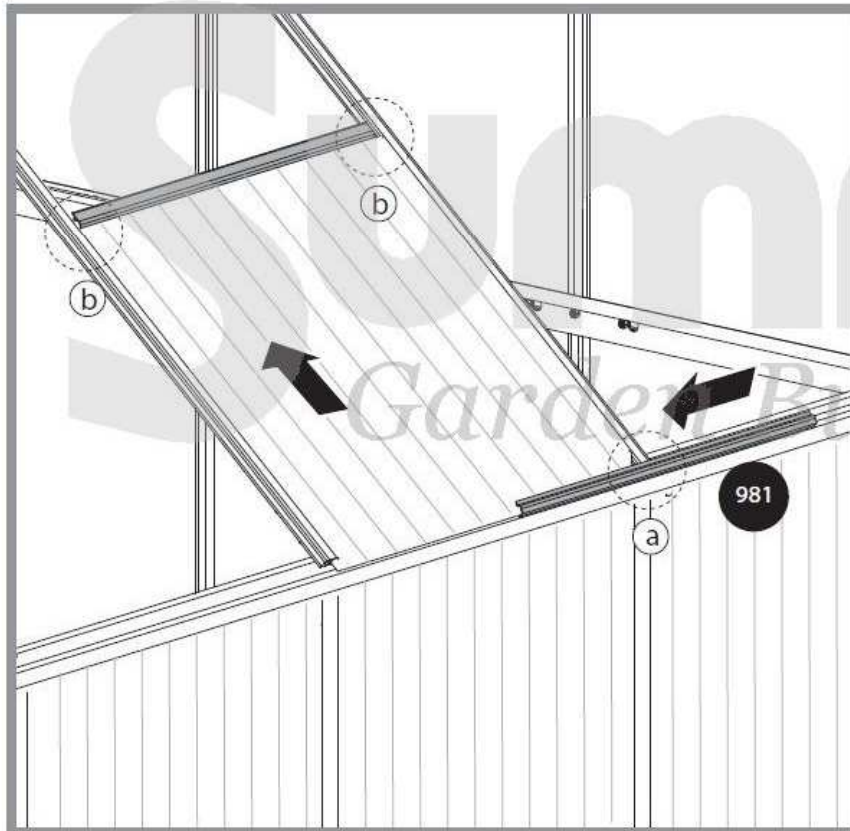
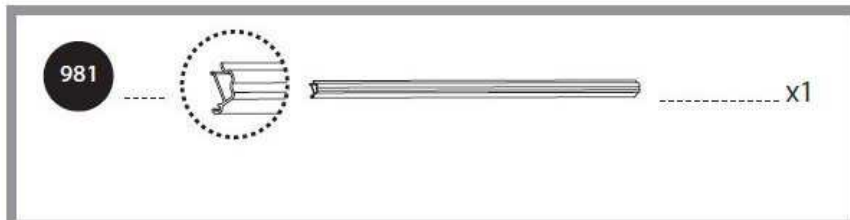
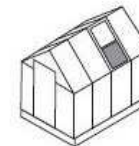


b

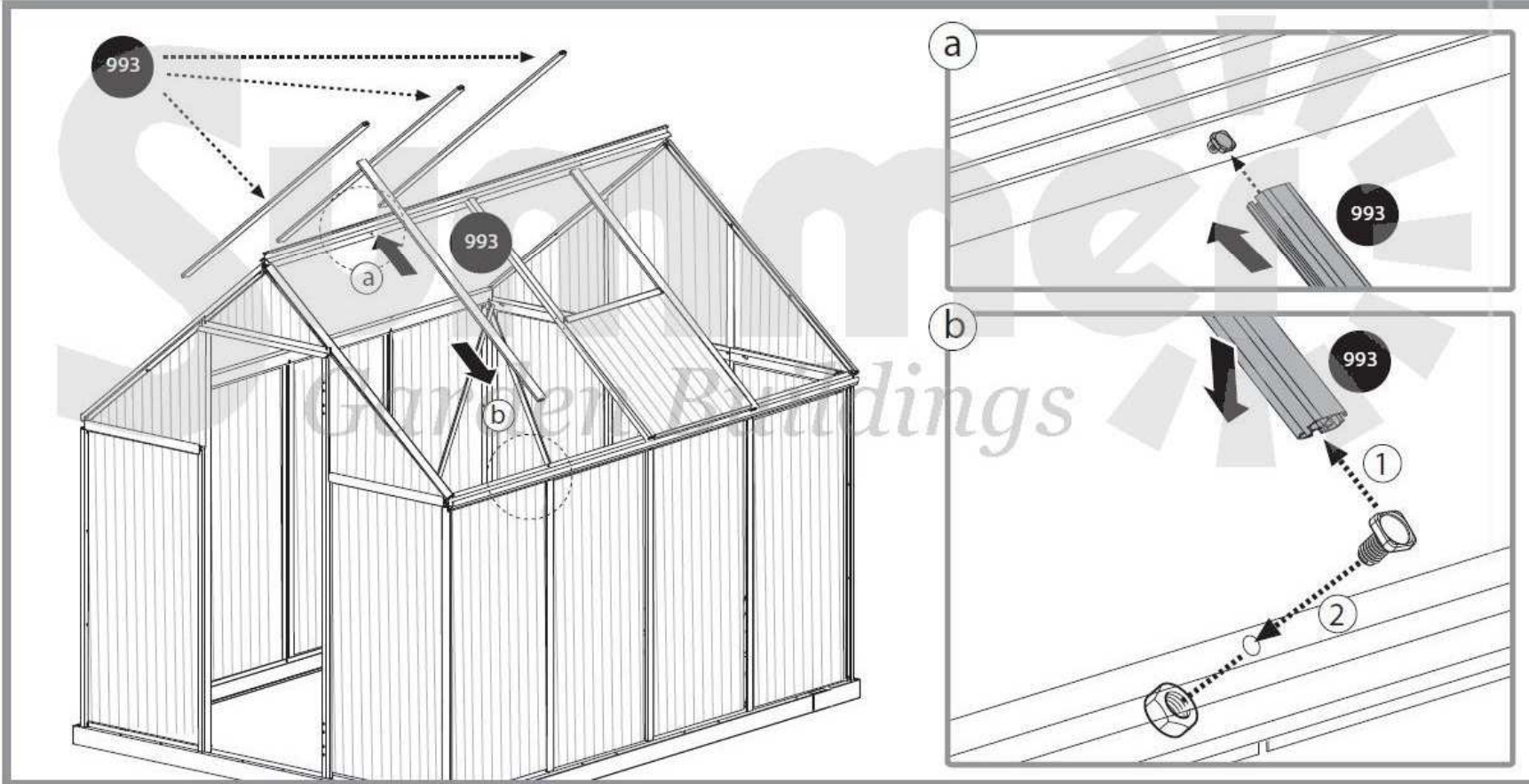
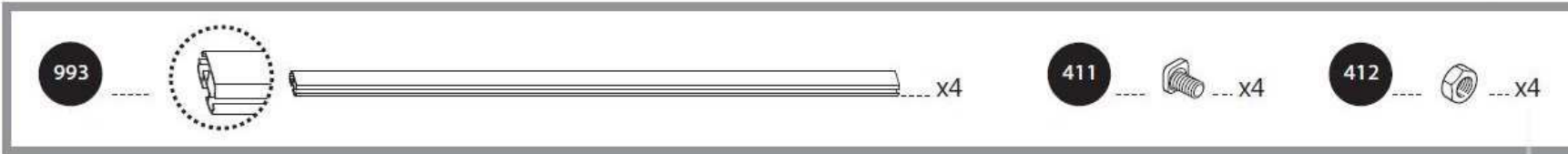
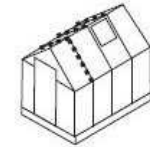


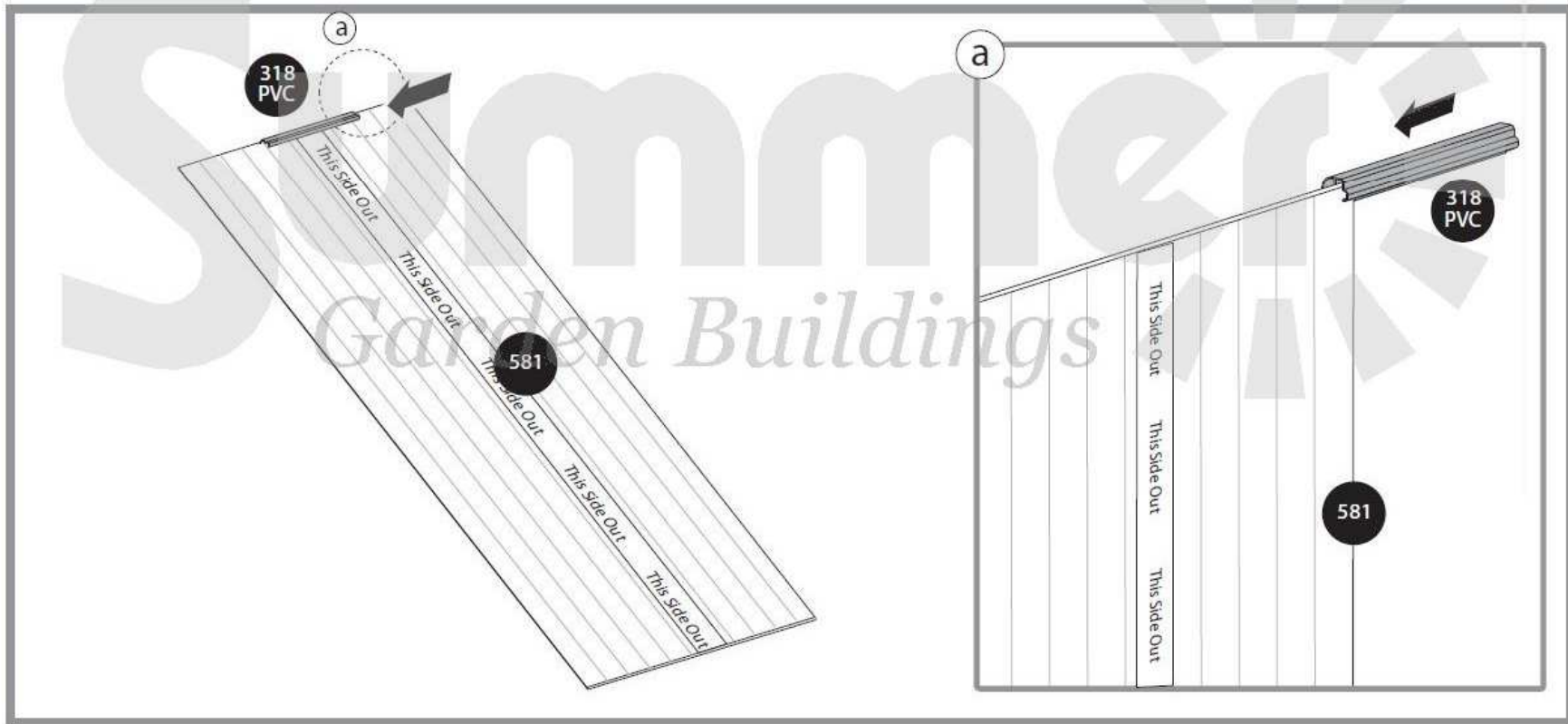
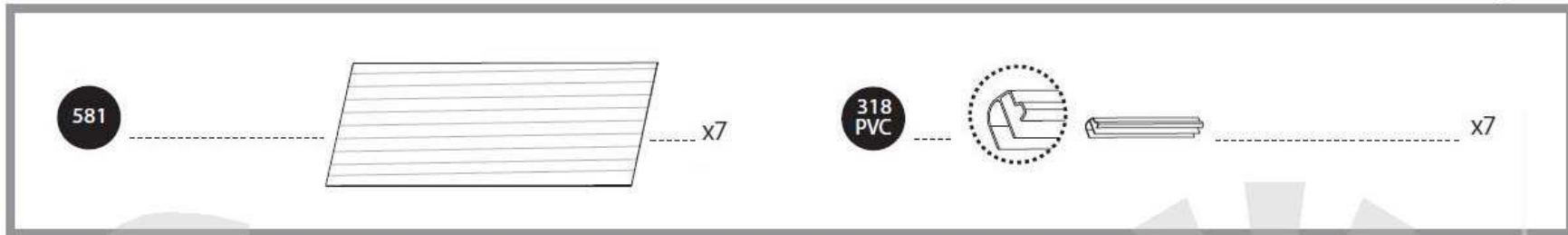


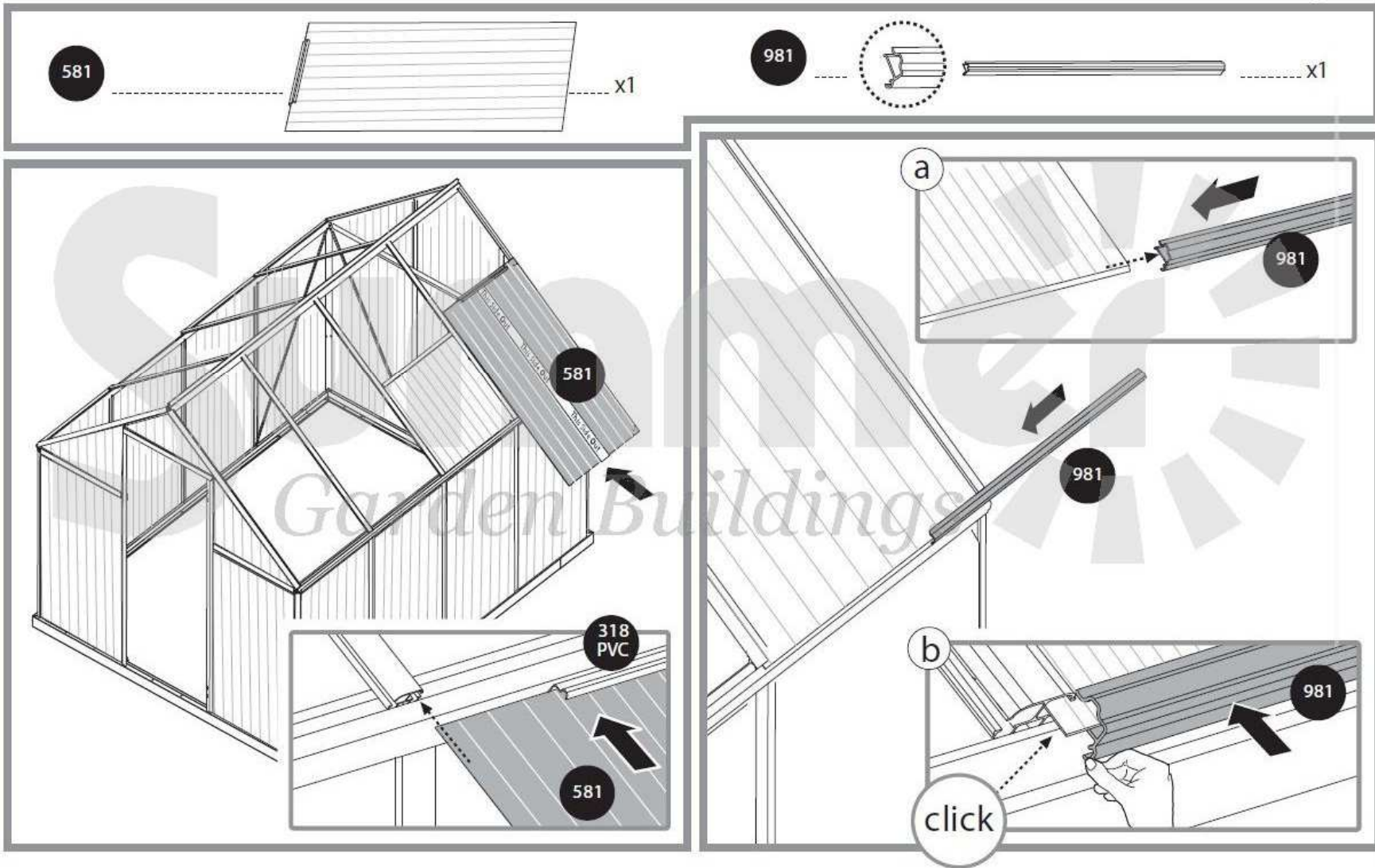
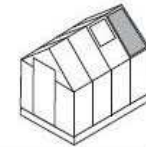


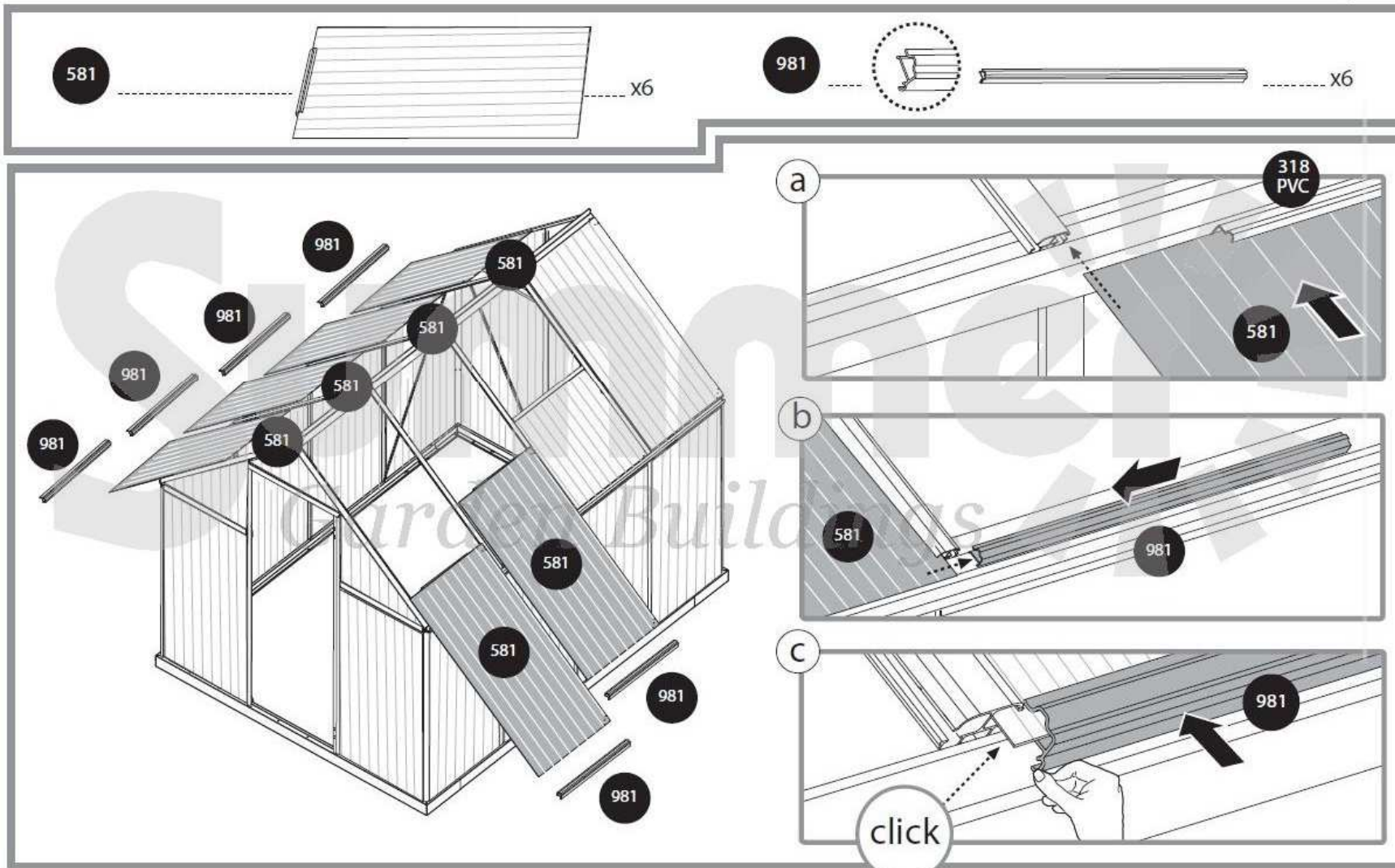


36



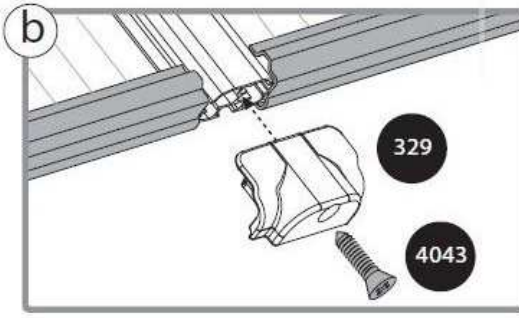
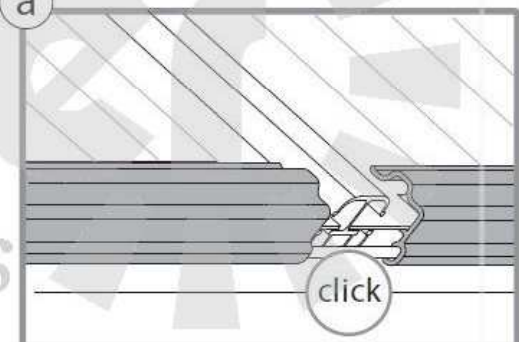
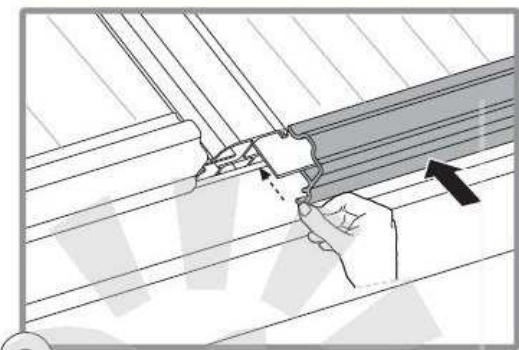
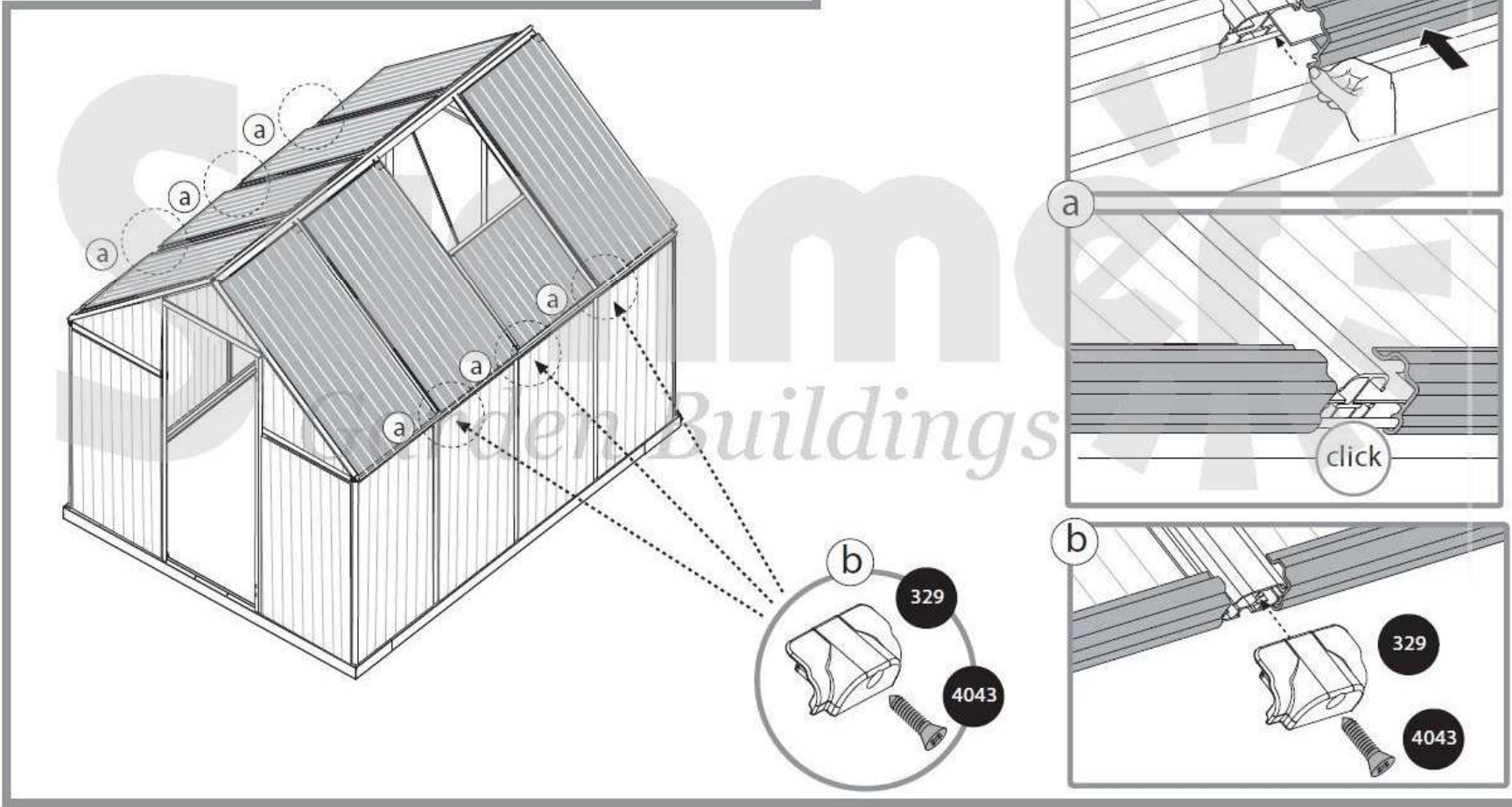


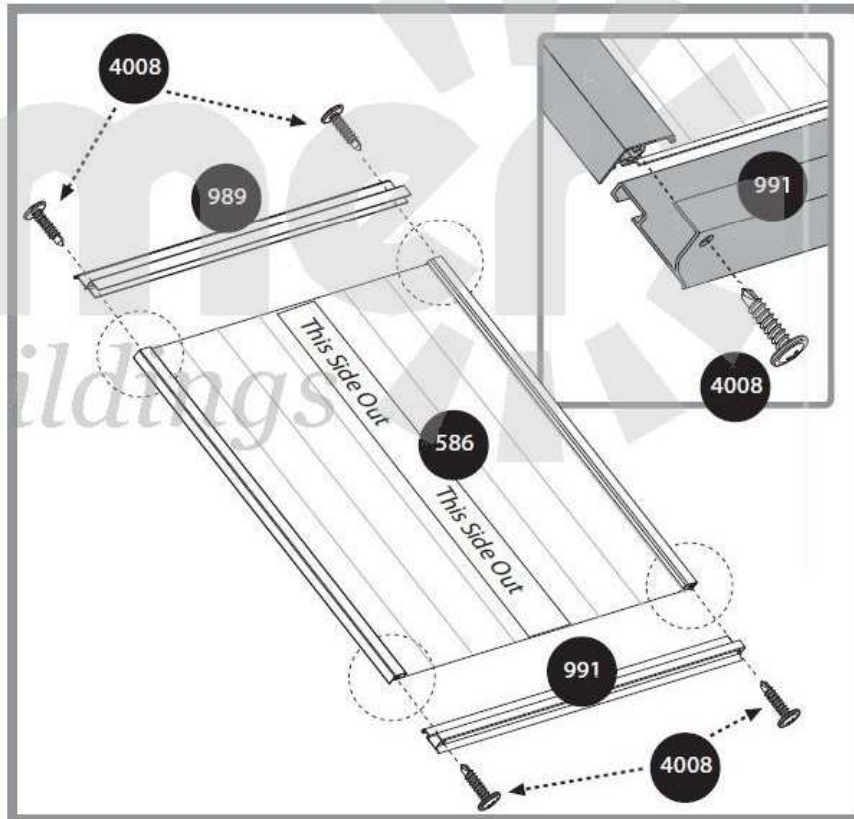
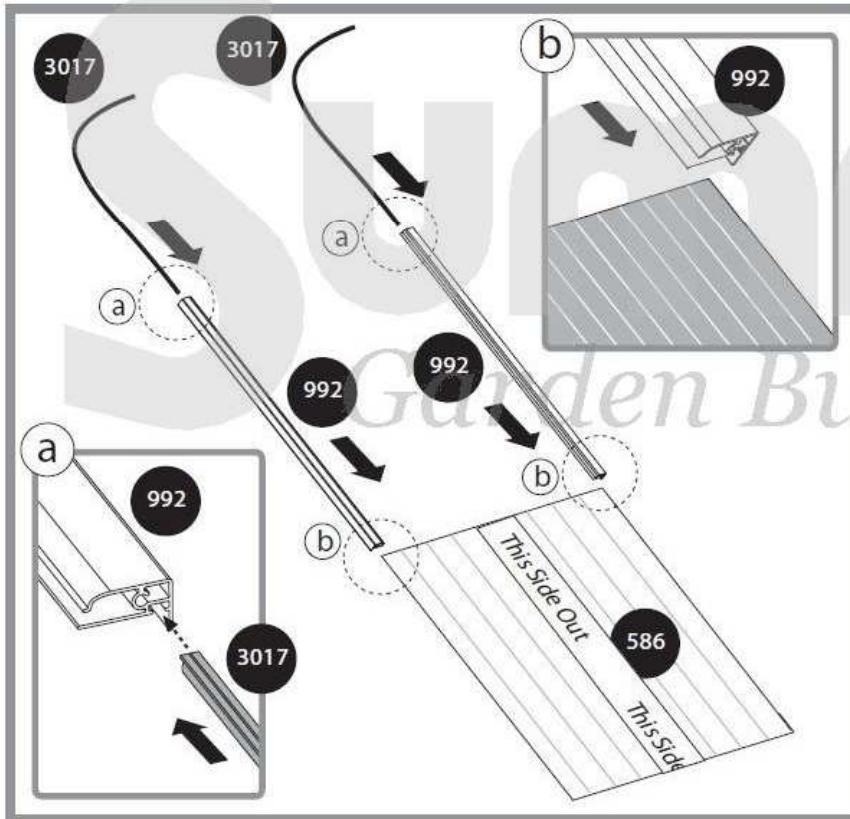
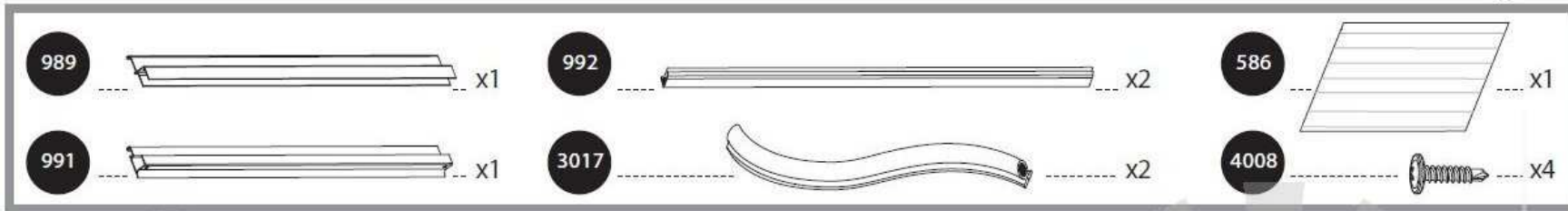
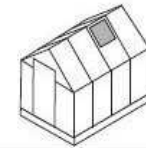


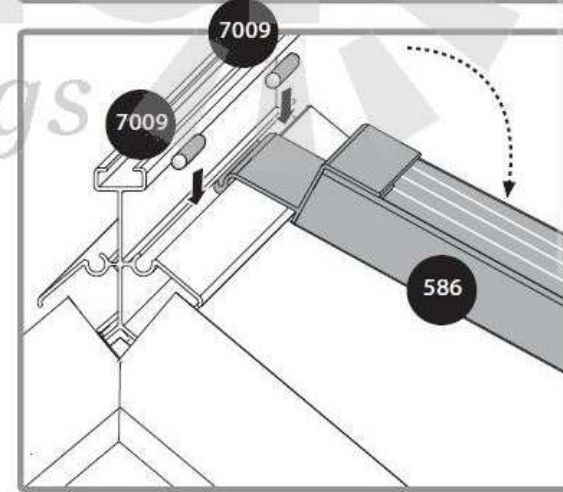
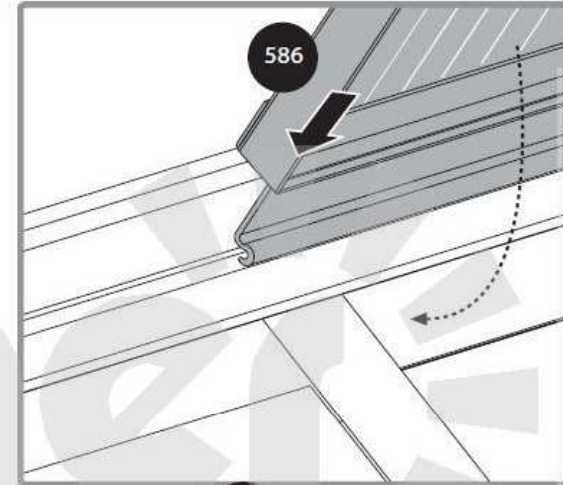
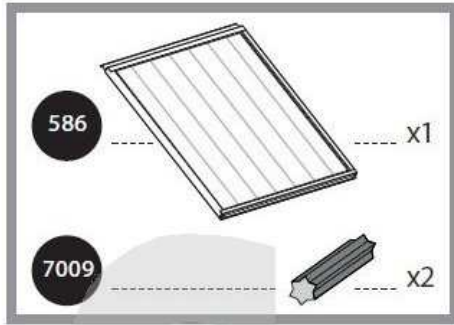
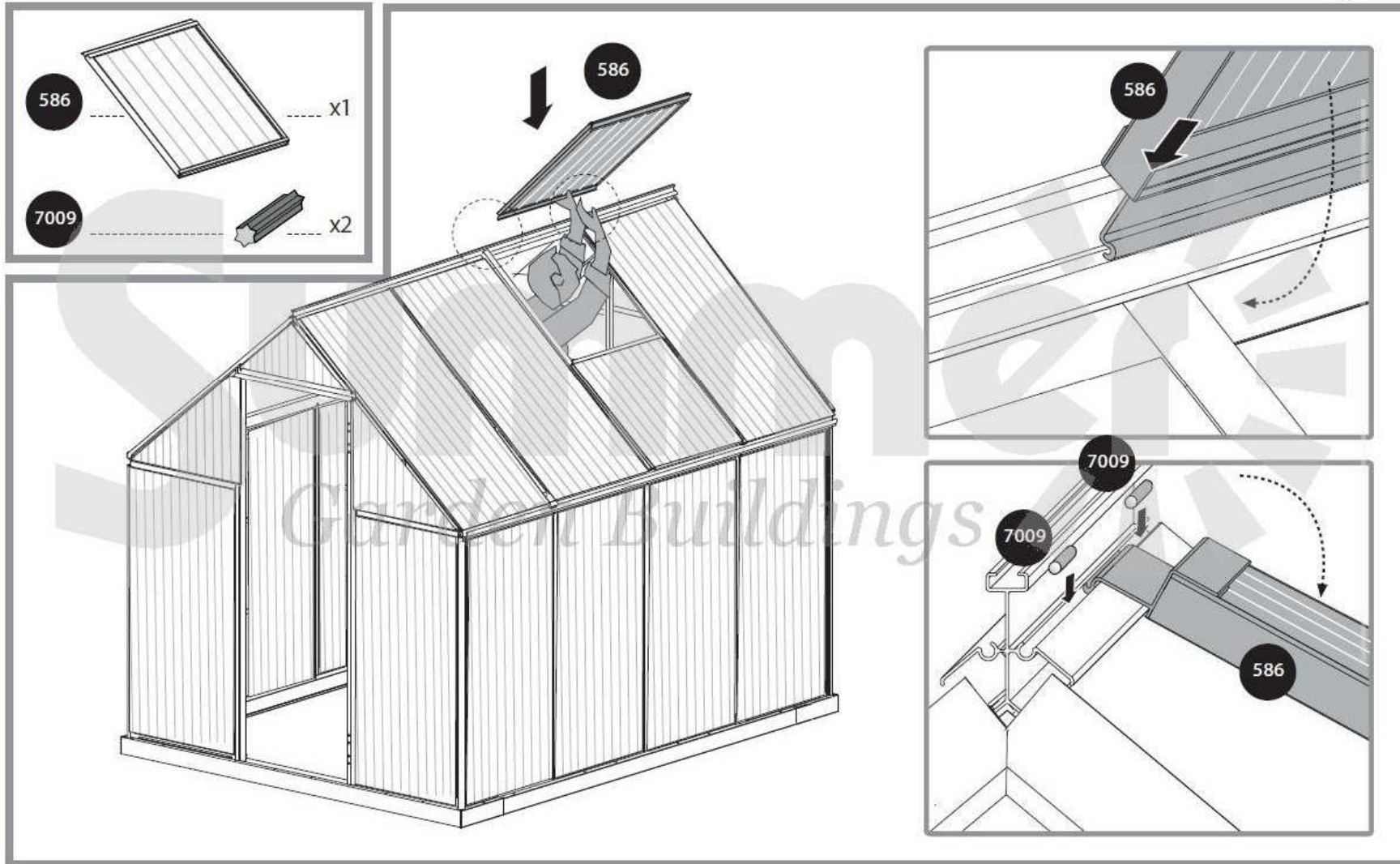
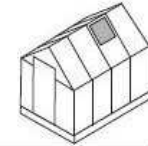


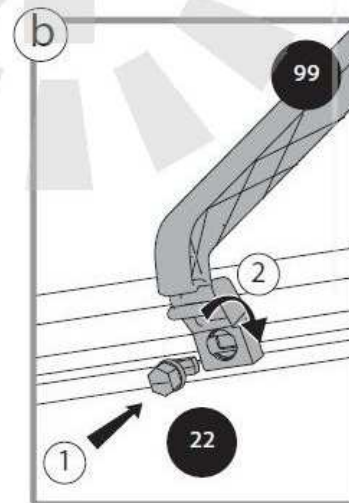
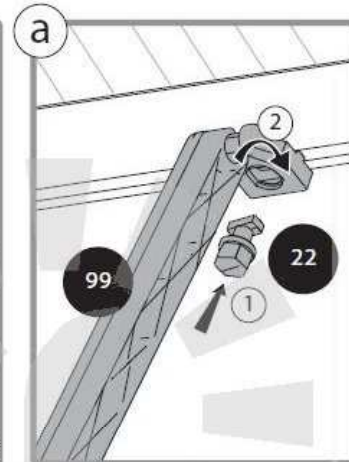
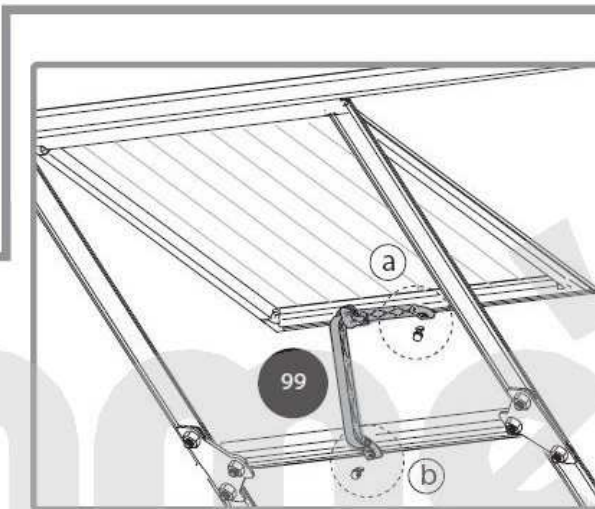
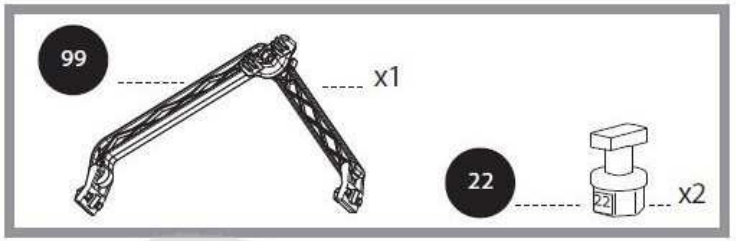
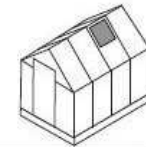


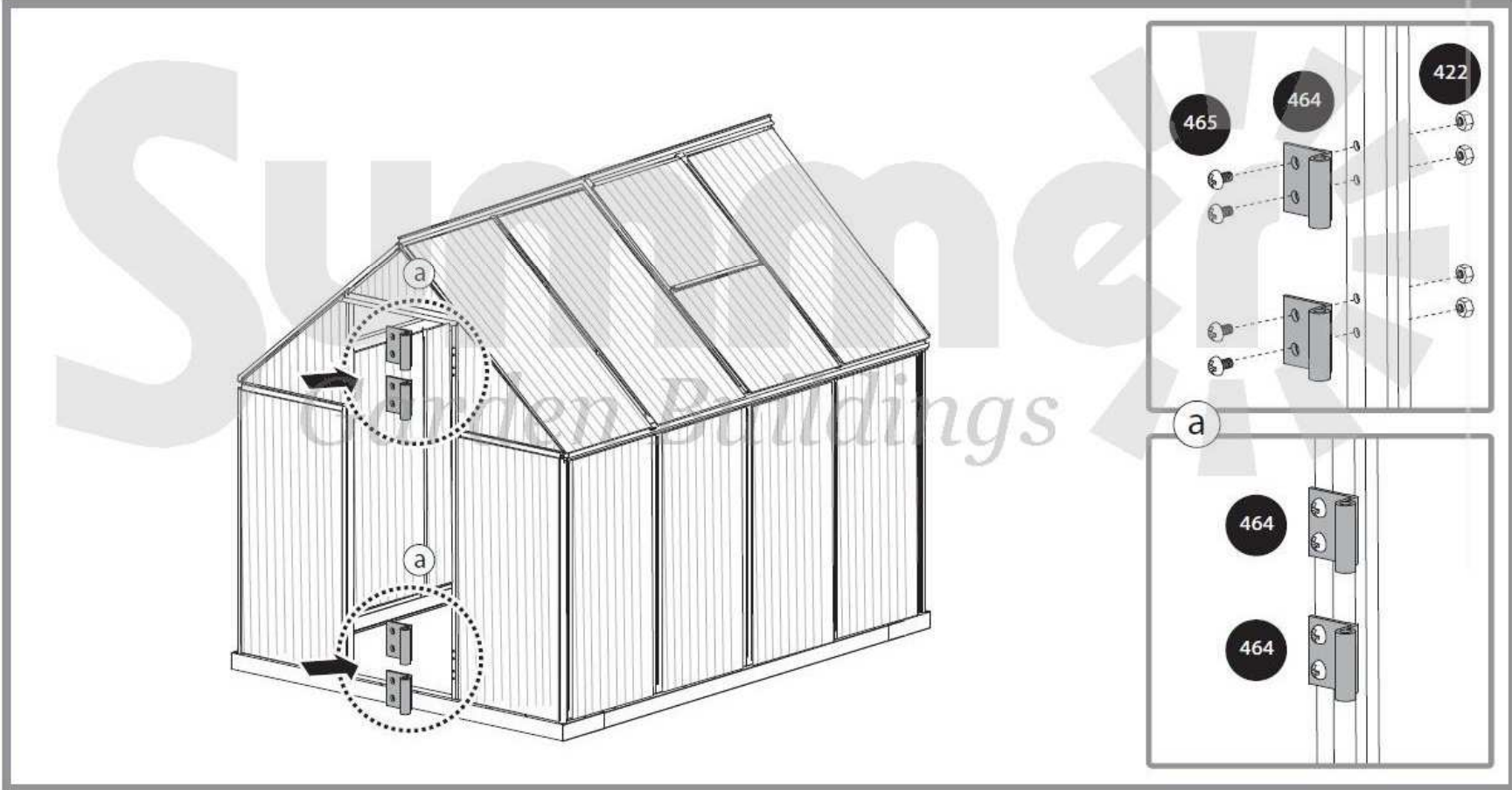
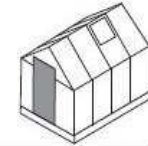
329x6 4043x6

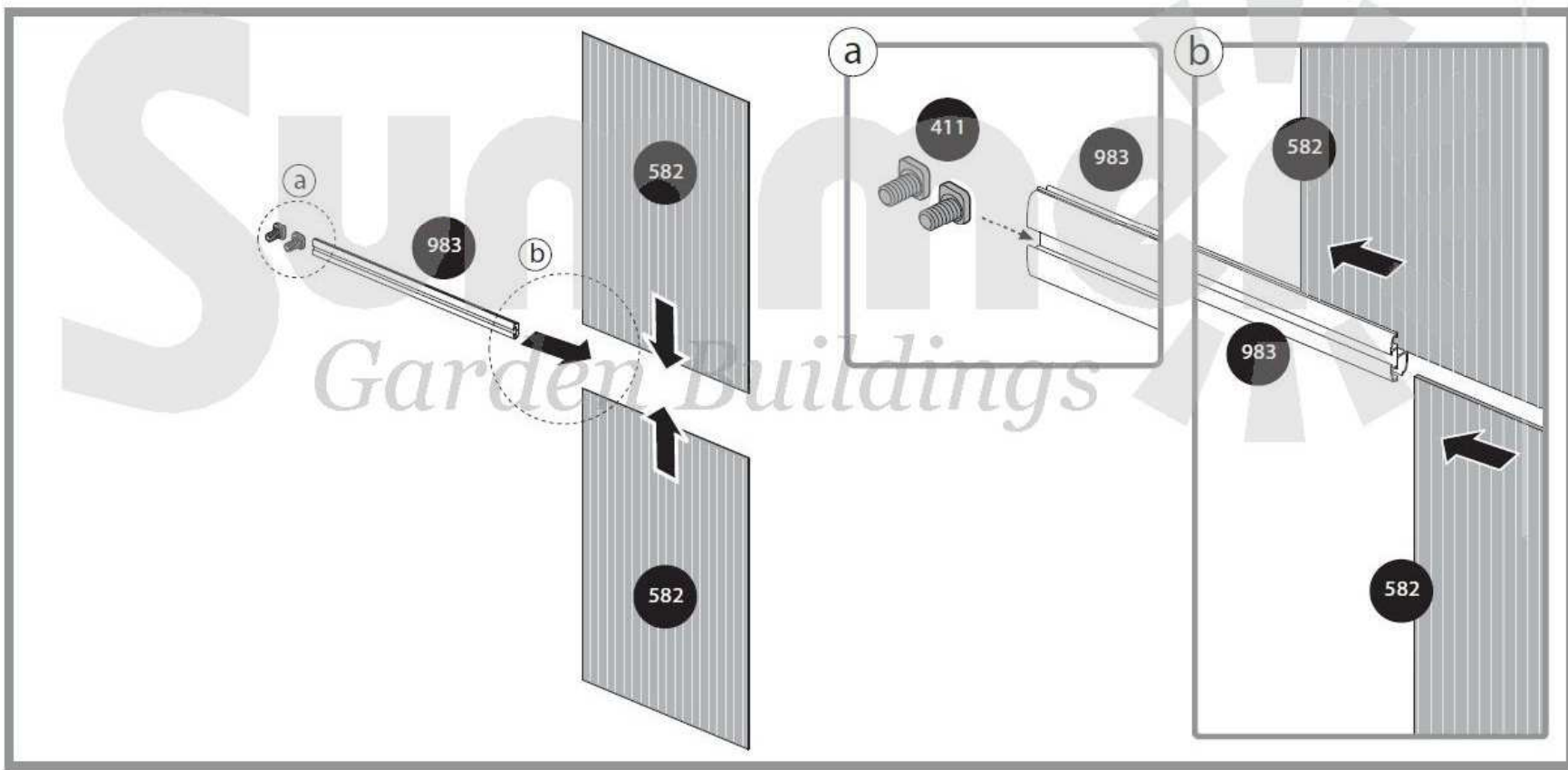
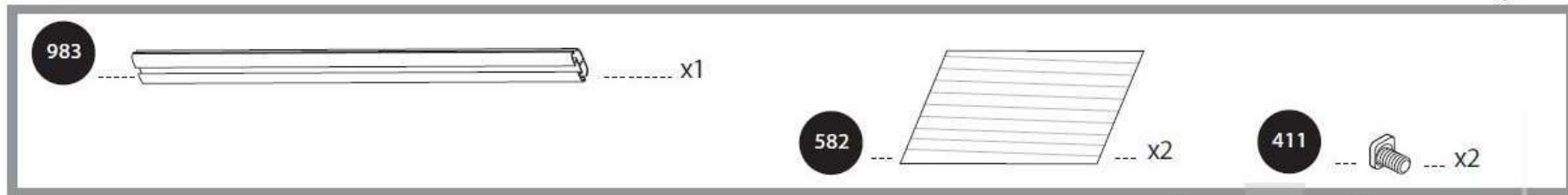
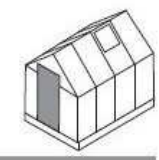


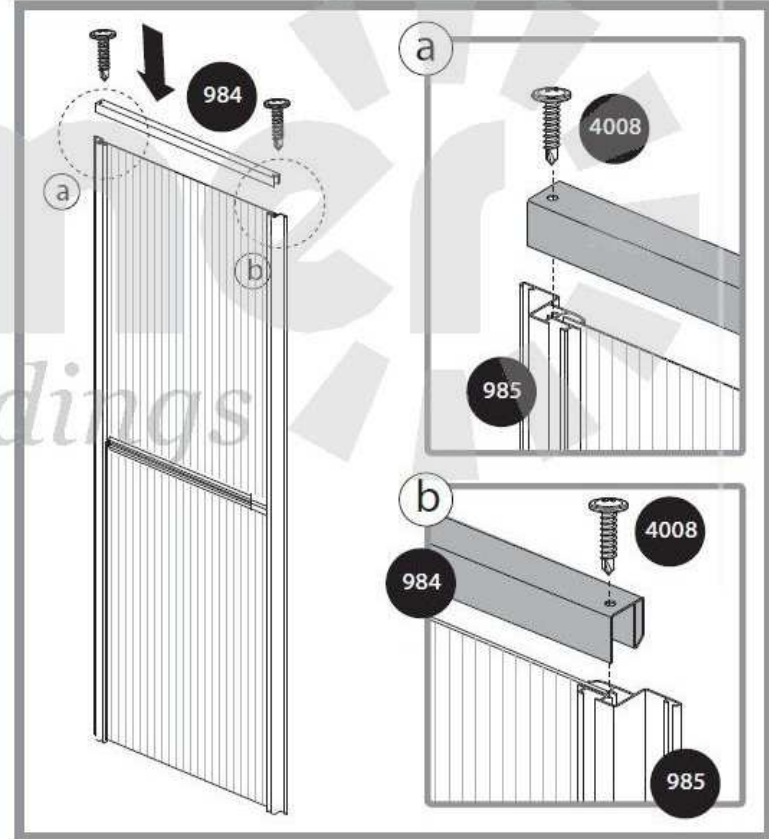
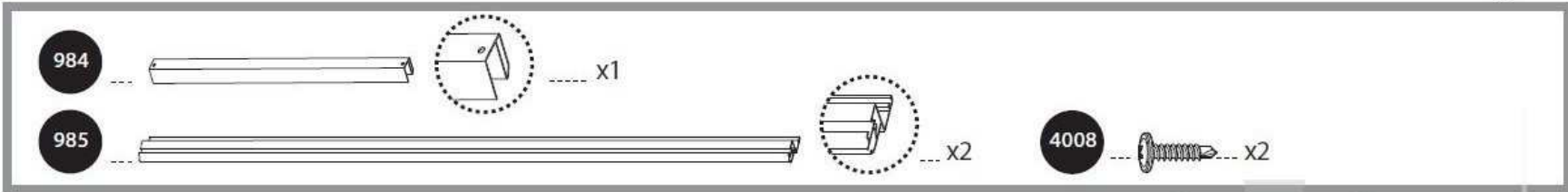
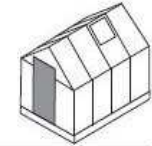


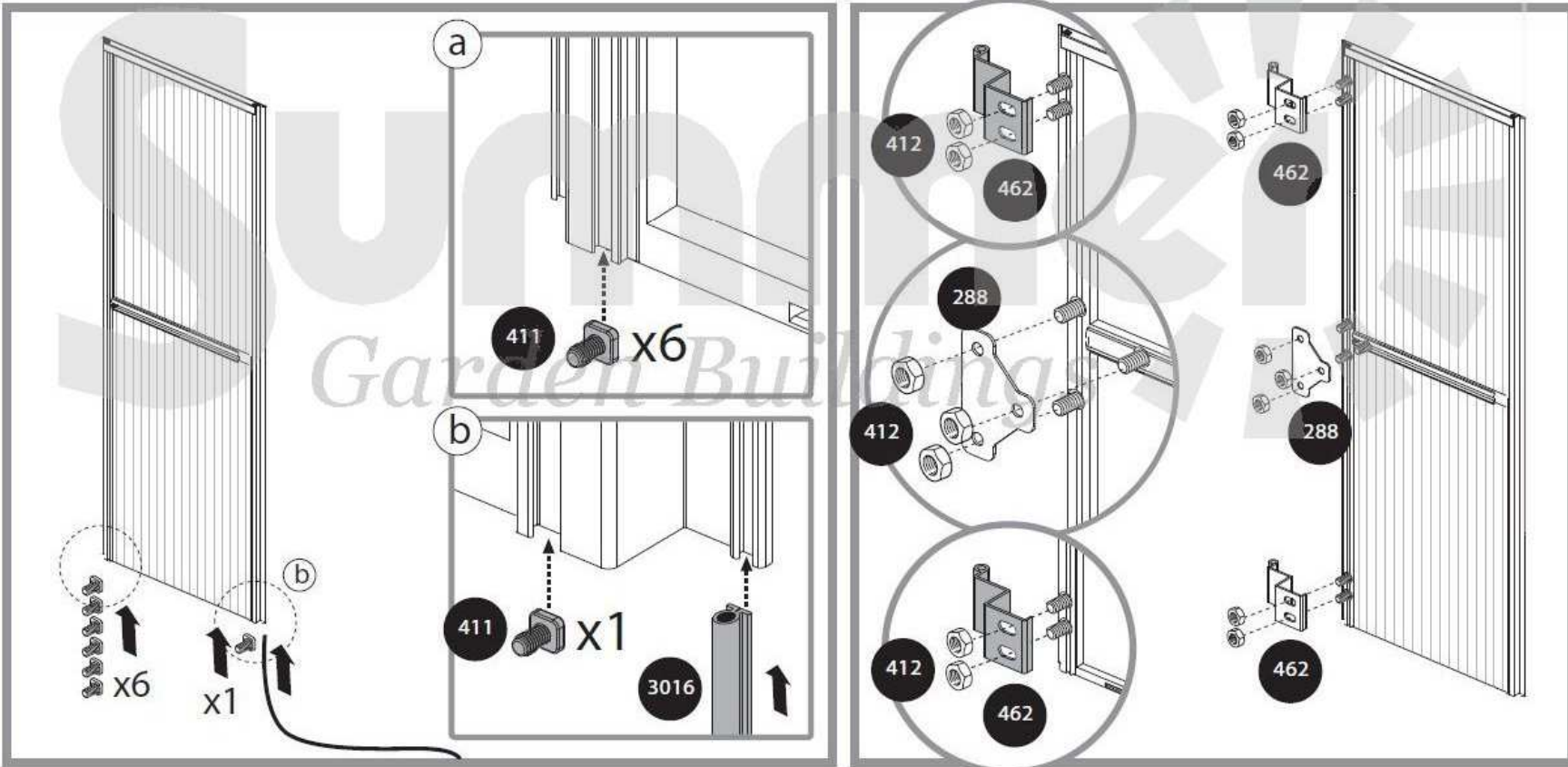
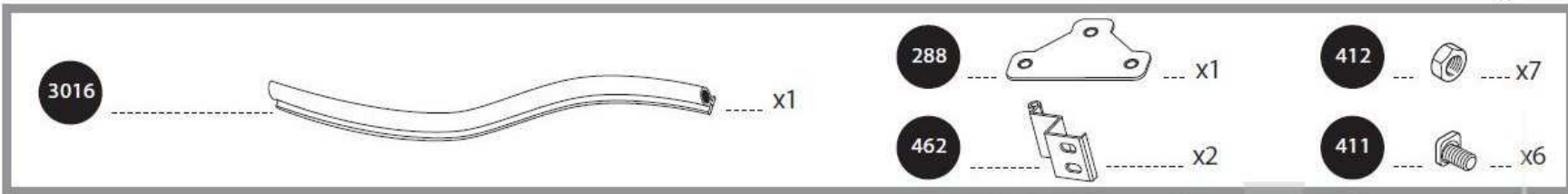
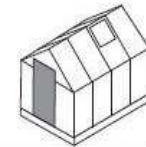


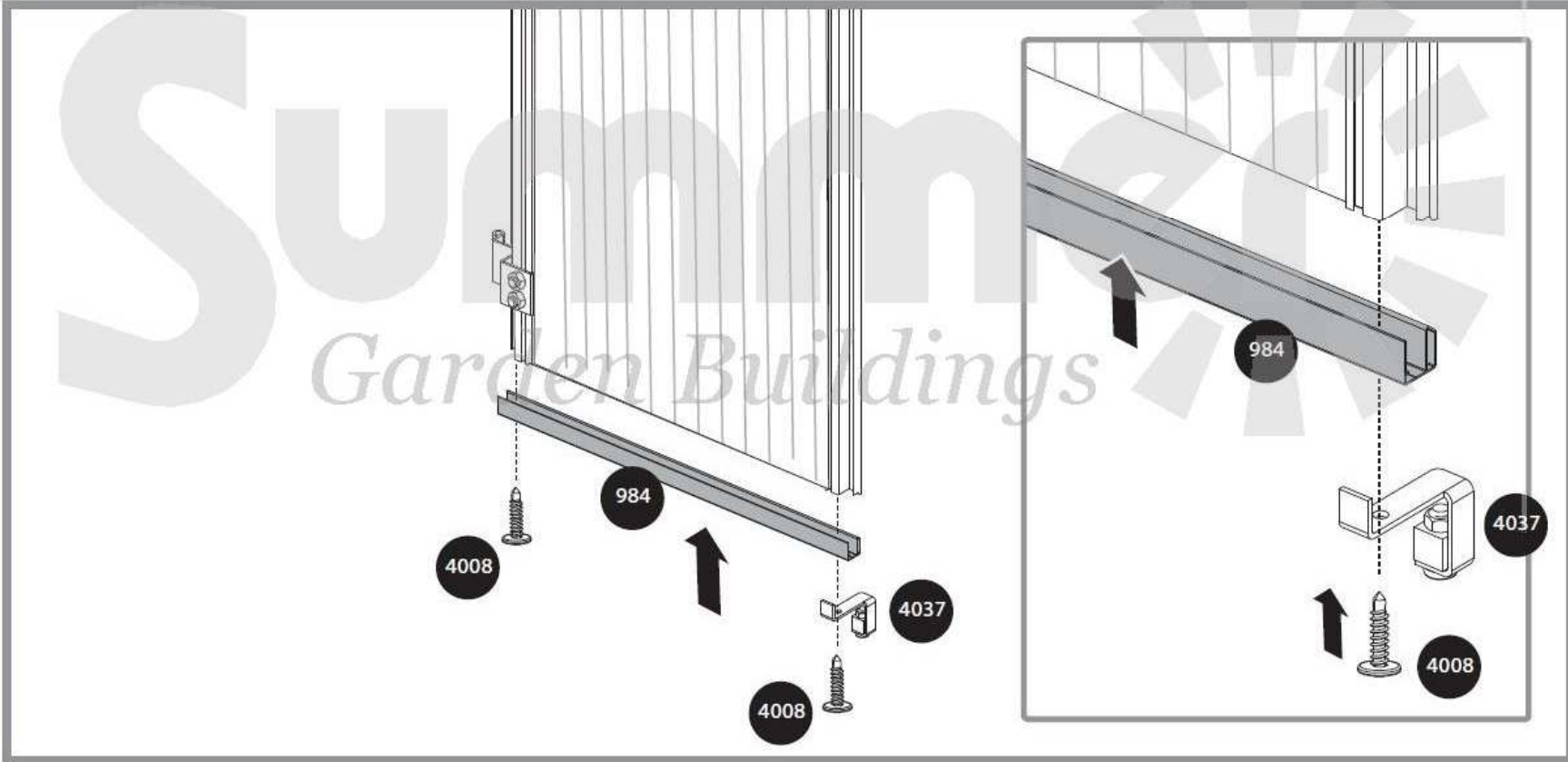
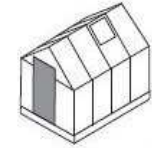


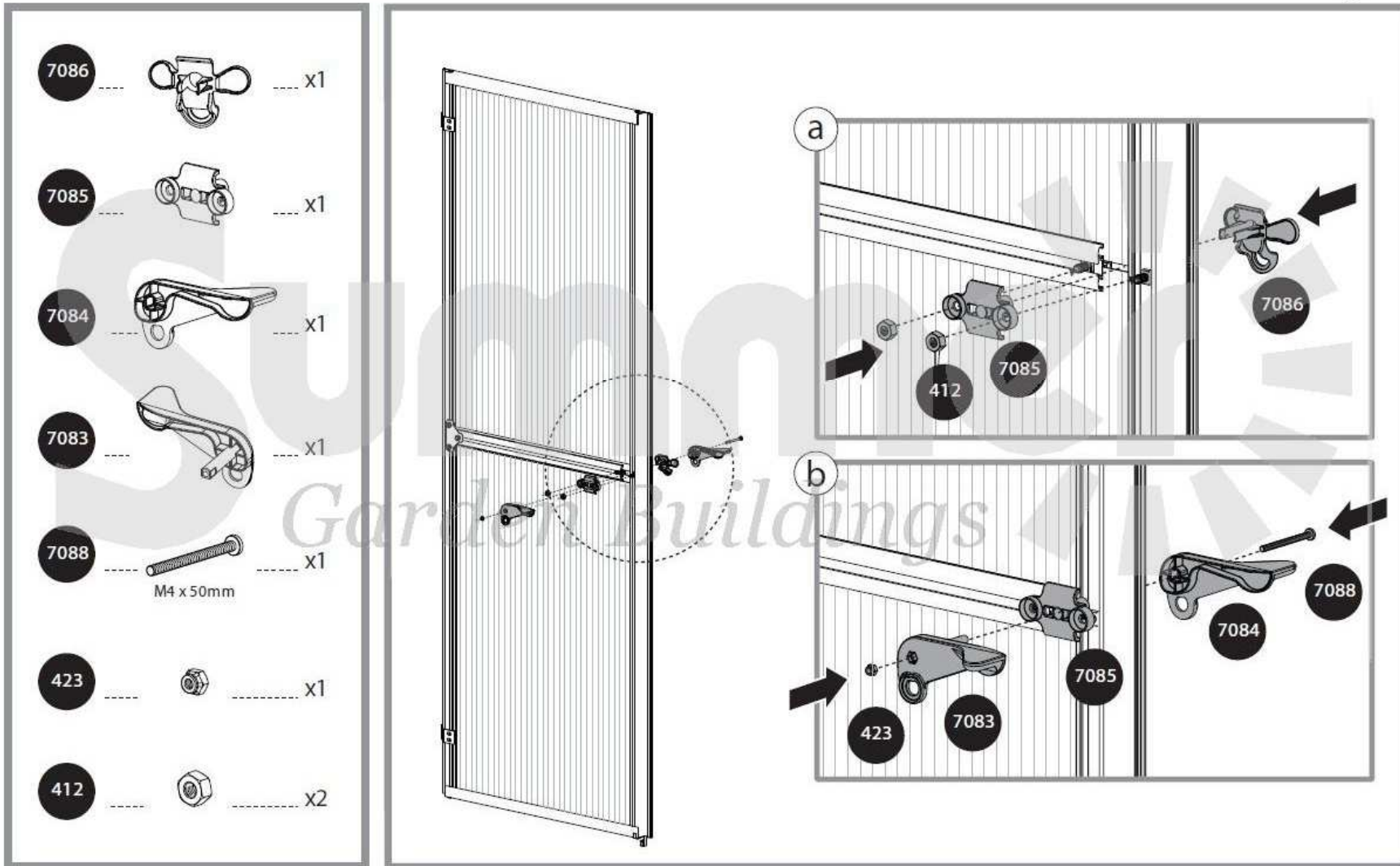
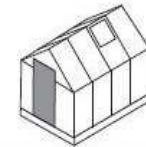


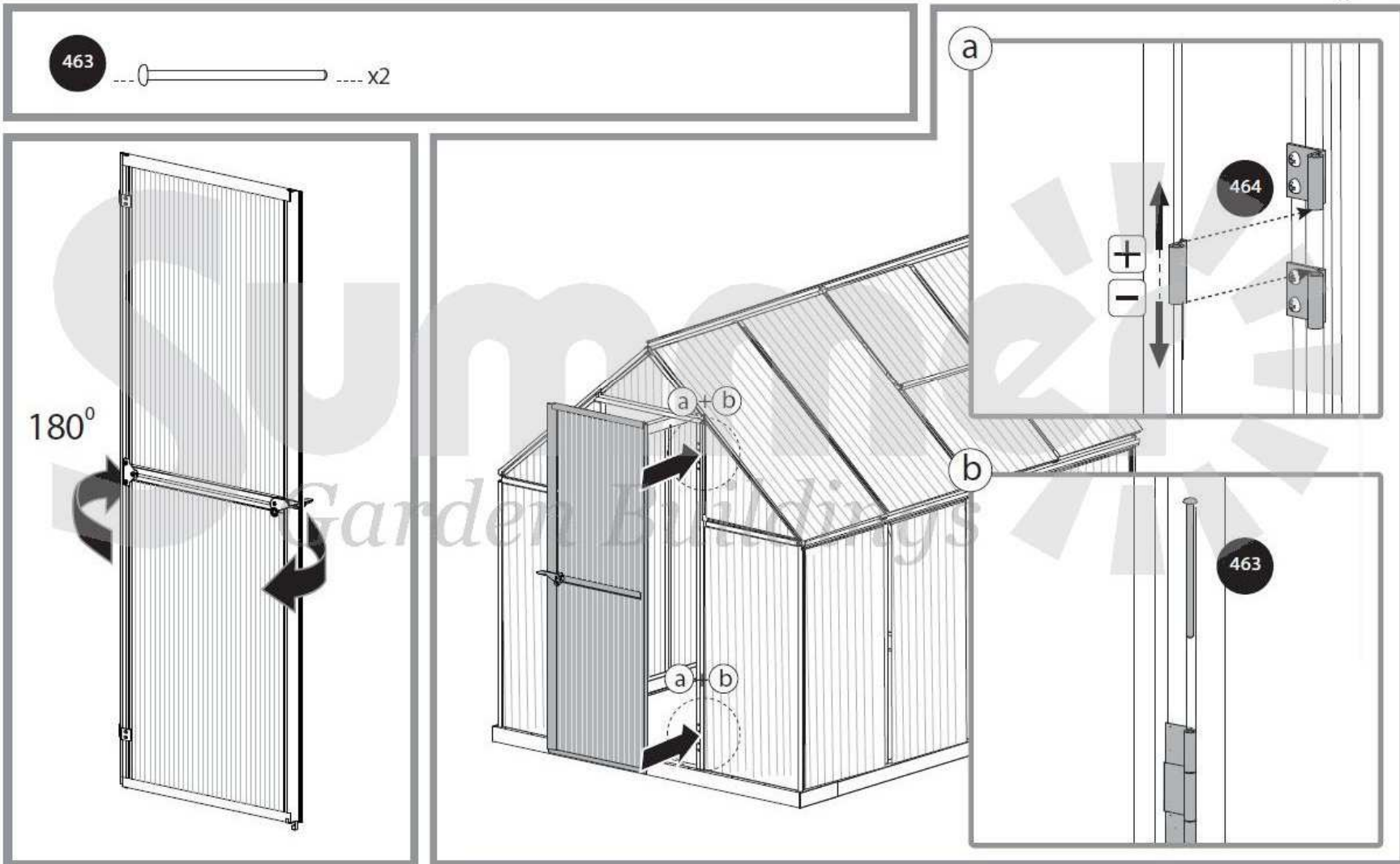
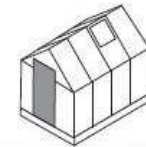


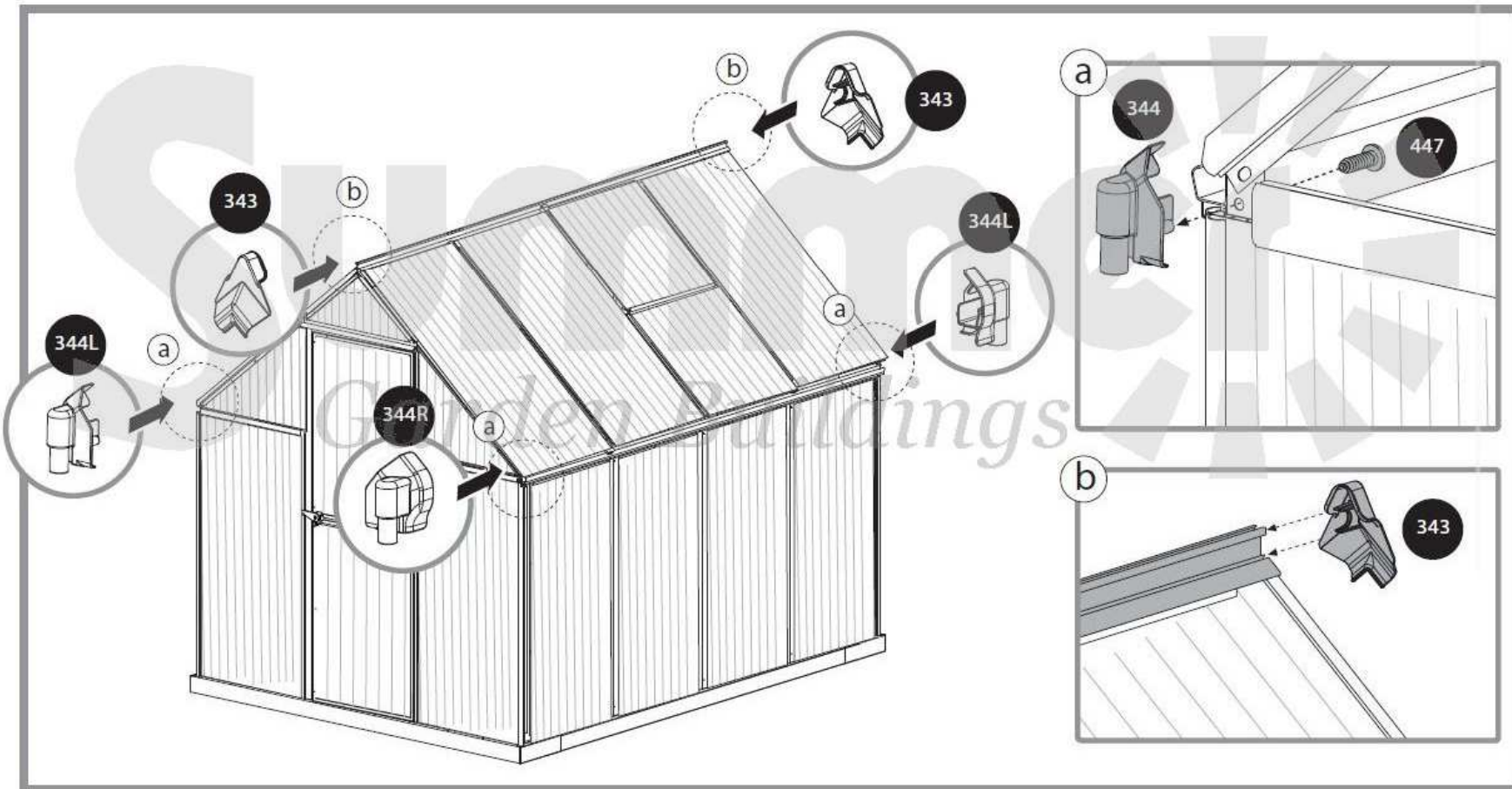
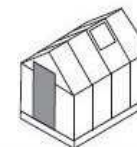


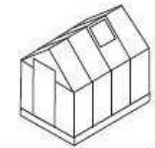










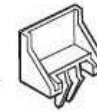


M96

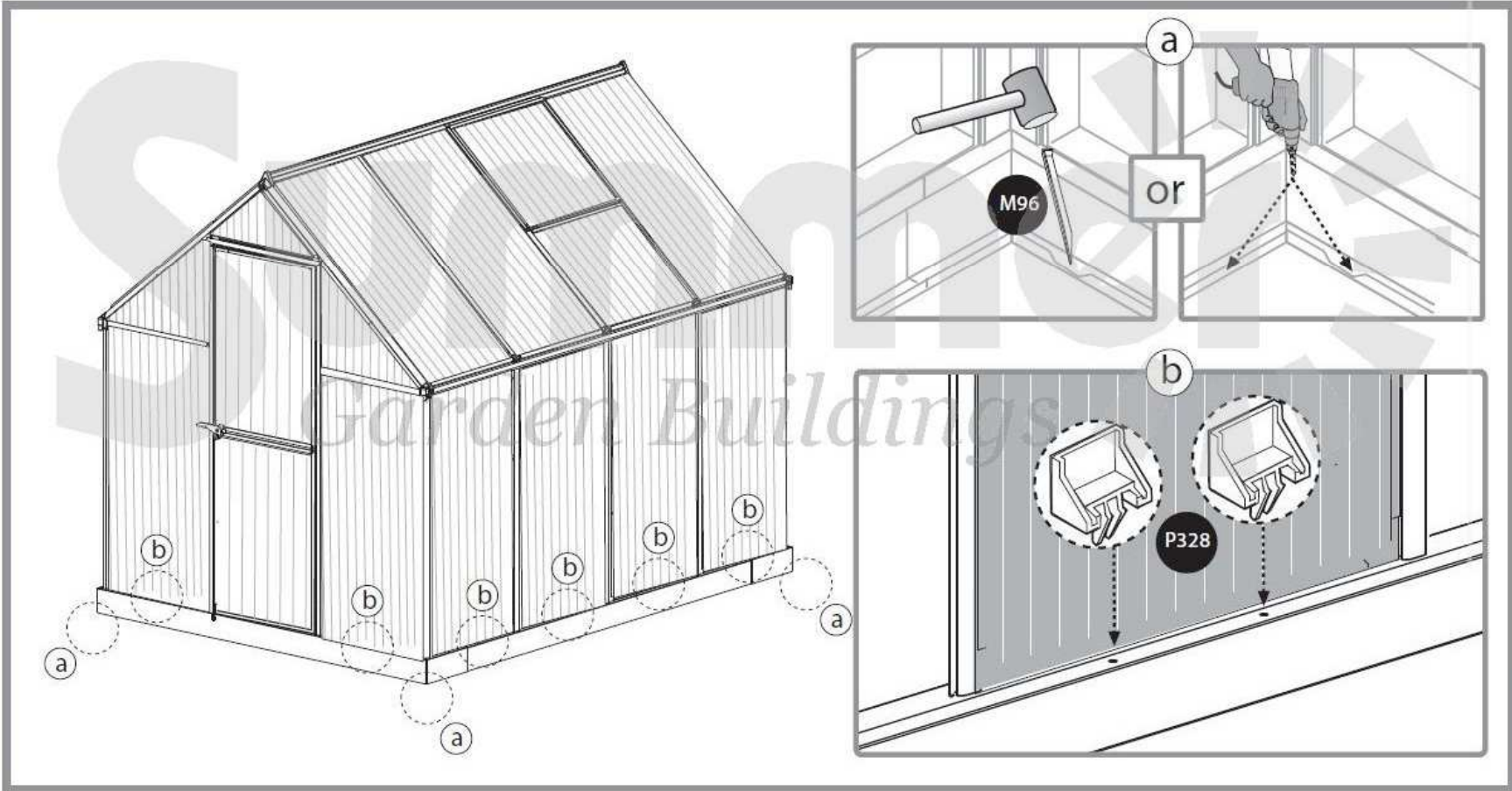


x4

P328



x26



Version4_Nov2011

Summer Garden Buildings does not guarantee that this is the most recent version of these instructions or that all information is accurate or that it has been accurately reproduced. You are advised to refer to our website for the current specifications and other information. No guarantee is given regarding the accuracy of these instructions and no liability will be accepted for any errors or inaccuracies.

Summer Garden Buildings is a leading UK retailer of garden and leisure buildings including:

- Summerhouses, garden rooms, log cabins and garden offices
- Cedar and aluminium greenhouses, lean to greenhouses and mini greenhouses
- Garden sheds, workshops, storage buildings and small store sheds
- Children's playhouses
- Gazebos, pergolas, arbours and arches
- Garden furniture in hardwood, aluminium and synthetic weave
- Double glazed PVCu conservatories in white or woodgrain PVCu

For further information, please phone Summer Garden Buildings on 0800 9777 828 or visit our website at www.summergardenbuildings.co.uk



For expert advice phone Summer Garden Buildings - 0800 9777 828. Phone free 7 days a week or visit www.summergardenbuildings.co.uk